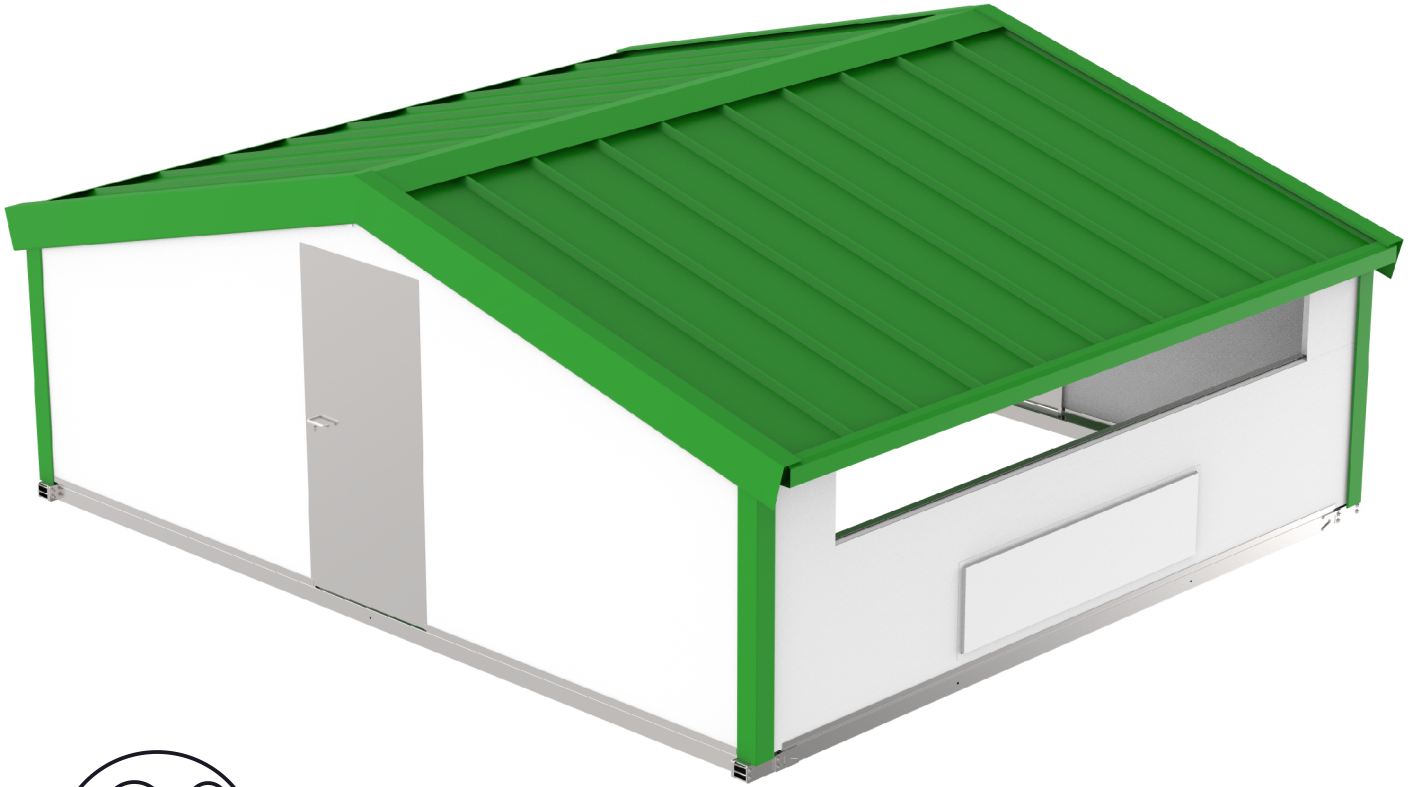
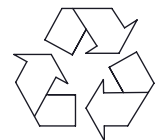


MONTAGEANLEITUNG

MOBILIER-HÜHNERHOF "CONTINENTAL" 5/10/15 (m)
LANG LxBxH: 5x6x1,80 - 10x6x1,80 - 15x6x1,80 (m)
ARTIKEL-NUMMER: 141173 (5 m) - 141174 (10 m) - 141175 (15 m)



IM 75053800 - 11/2018

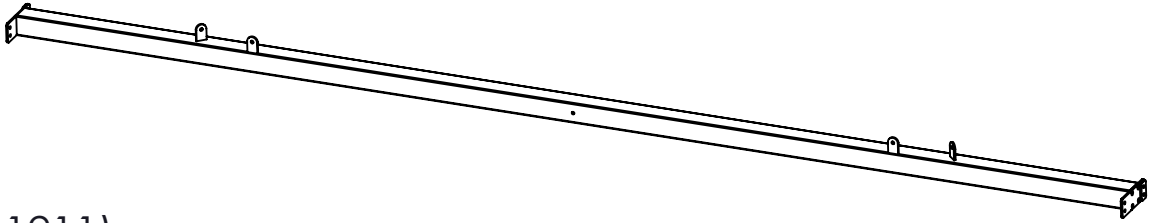


MADE IN SPAIN

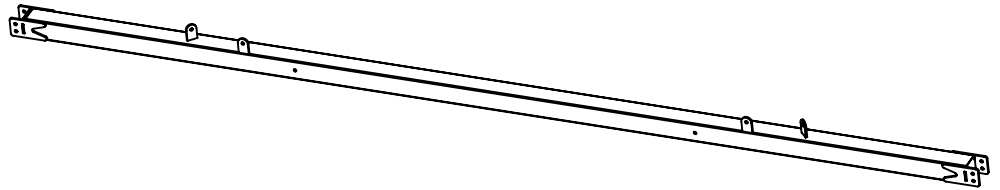
PHASE 1: BASIS



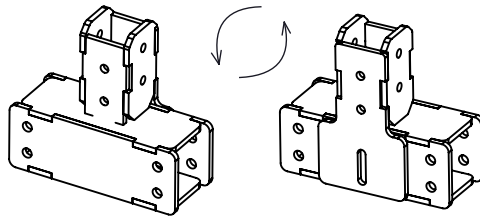
1.A (53011226) x 2



1.B (53011211)
x 2 (5 m)
x 4 (10 m)
x 6 (15 m)



1.C (53011212)
x 4 (5 m)
x 6 (10 m)
x 8 (15 m)

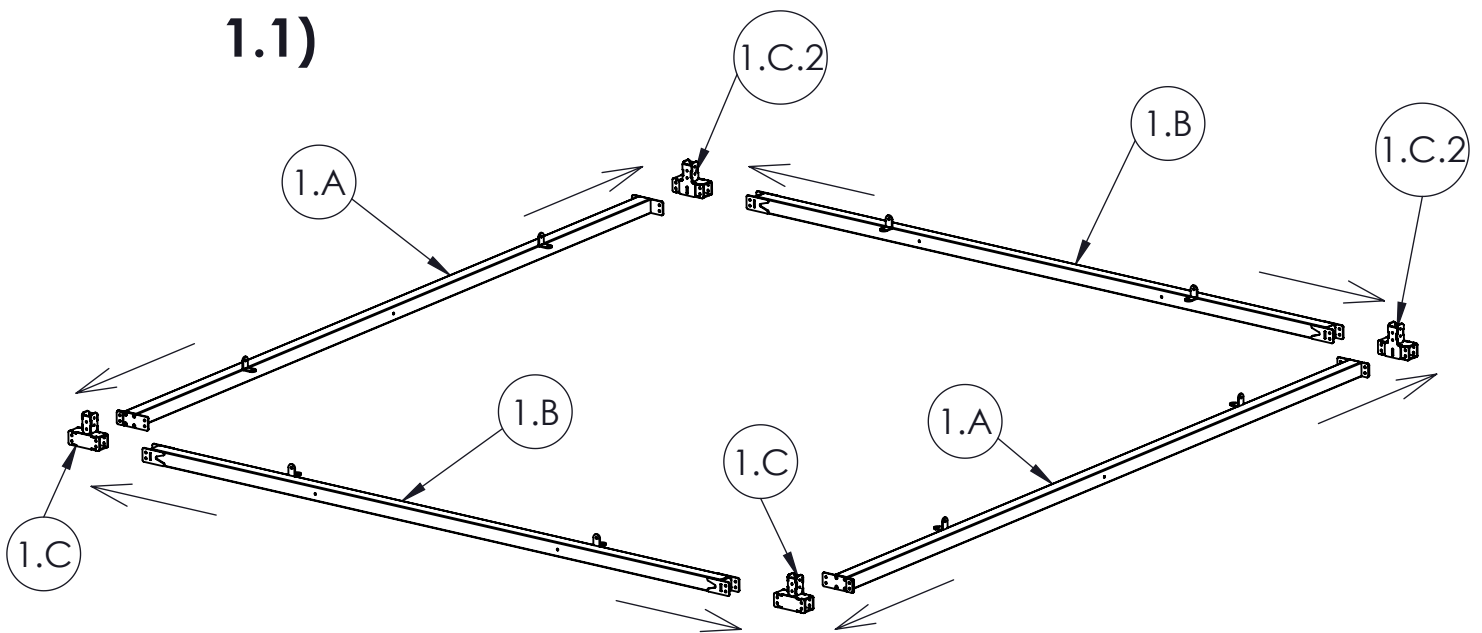


(1.C.2)



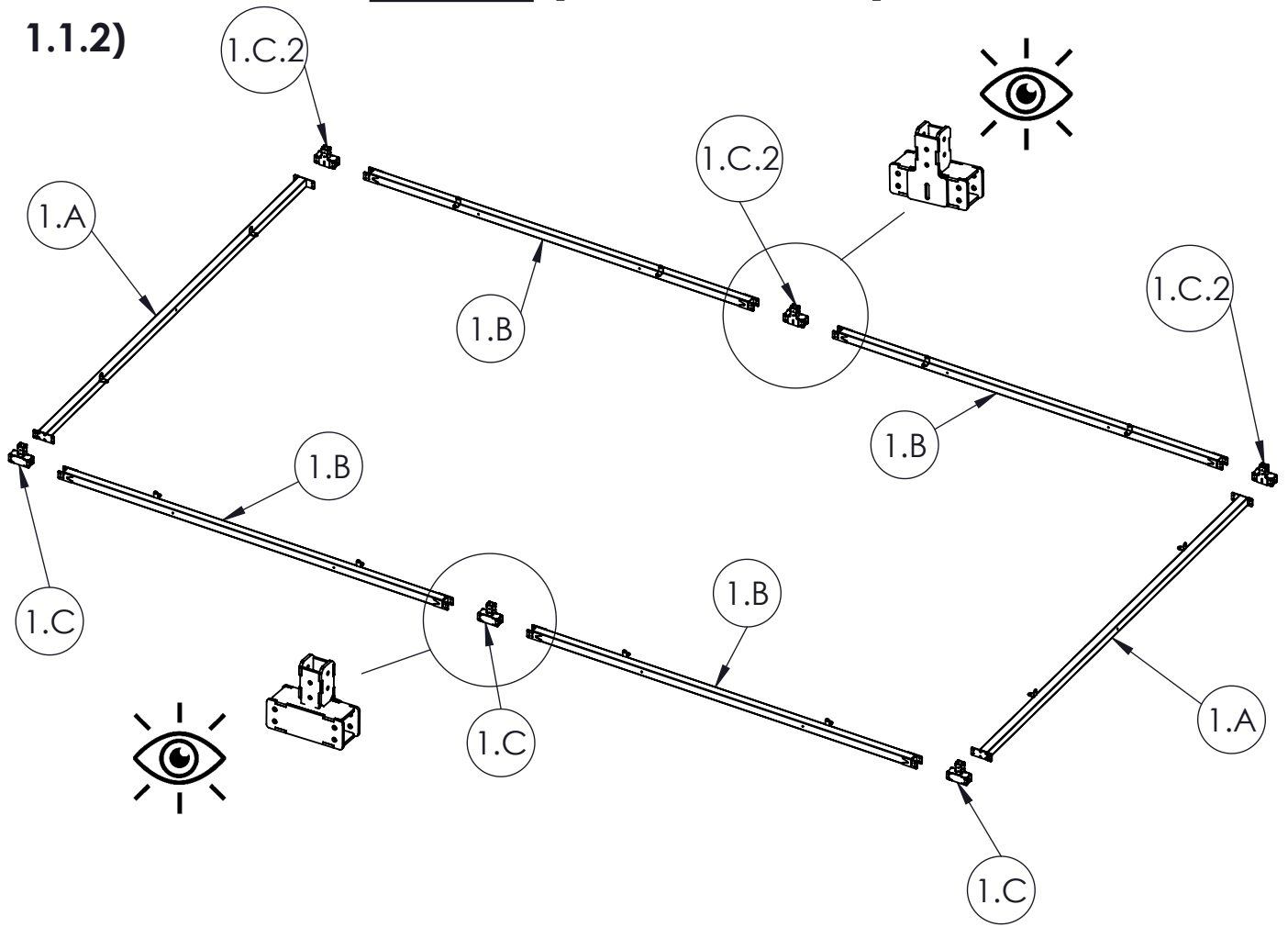
141173 (5 m = 30 m²)

1.1)



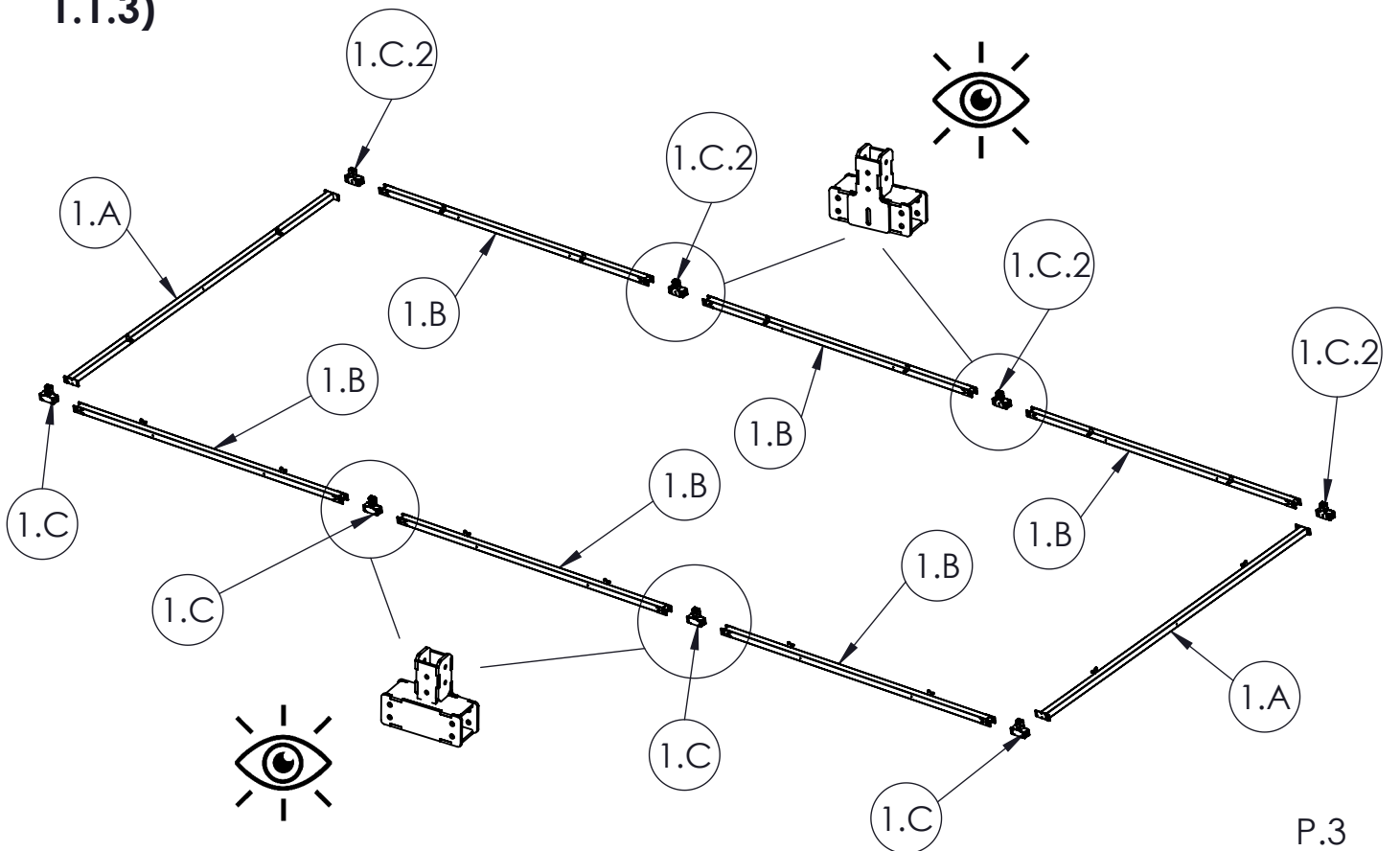
141174 (10 m = 60 m²)

1.1.2)

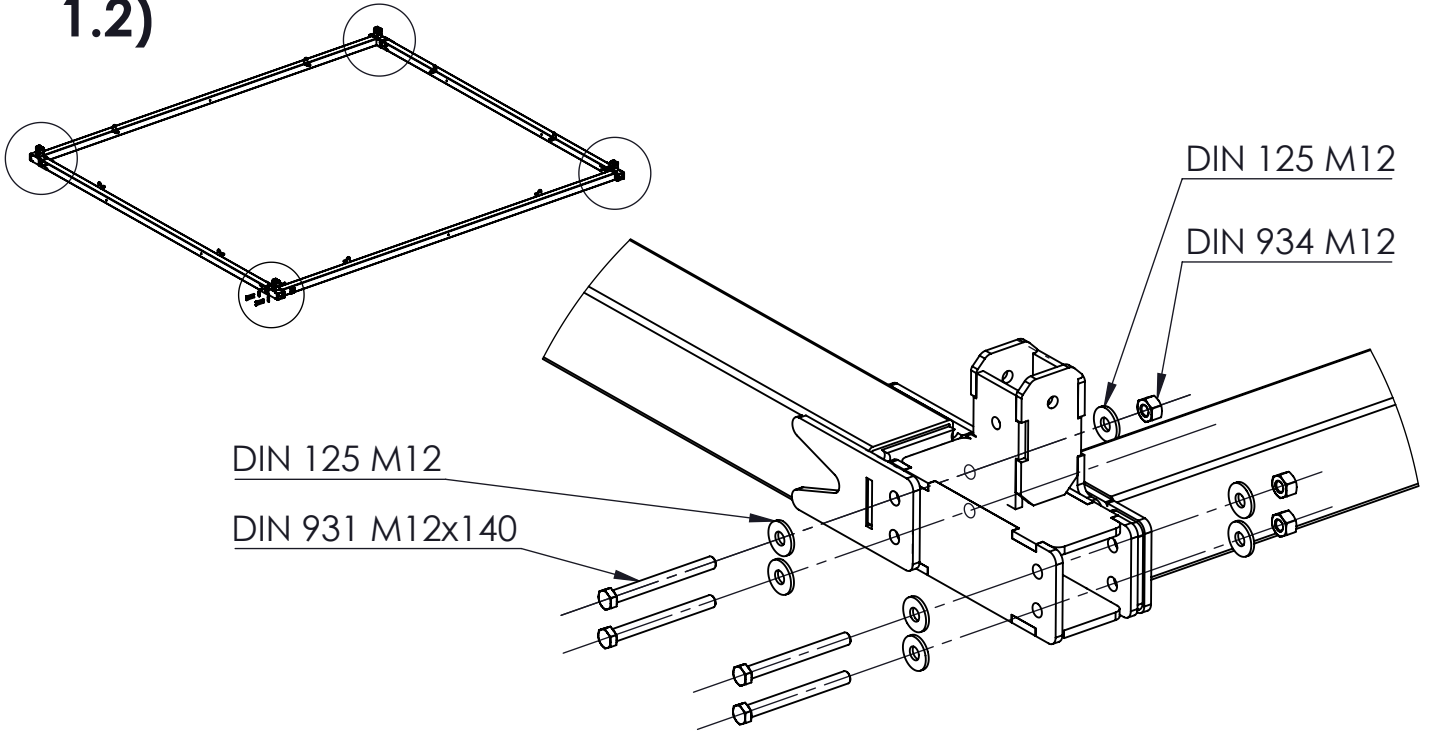


141175 (15 m = 90 m²)

1.1.3)



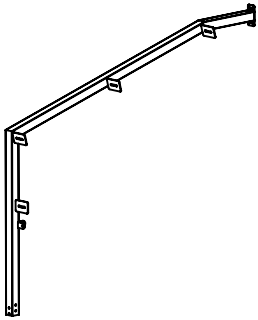
1.2)



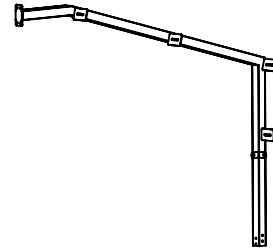
PHASE 2: STRUKTUR



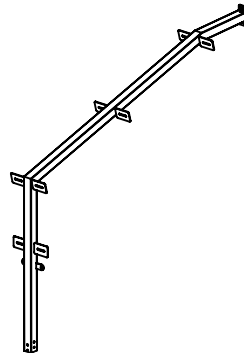
2.A.1 (53011202) x 2



2.A.2 (53011201) x 2



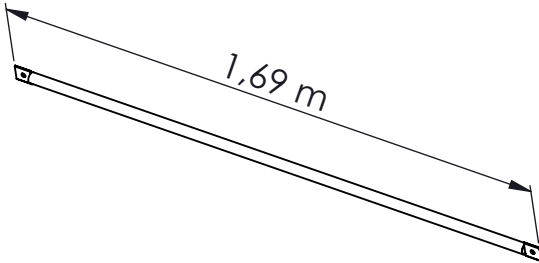
2.B (53011203) x 2



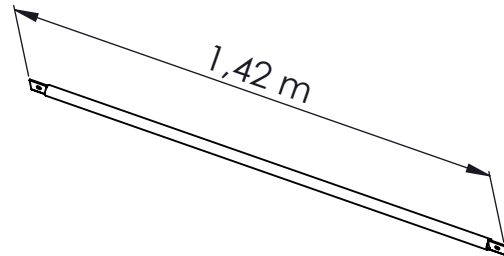
2.C (73316000) x 8



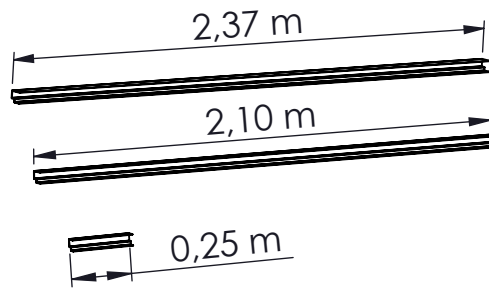
2.D (53011242) x 4



2.E (53011237) x 8



2.F (53011240) x 10



2.F.1 x 4

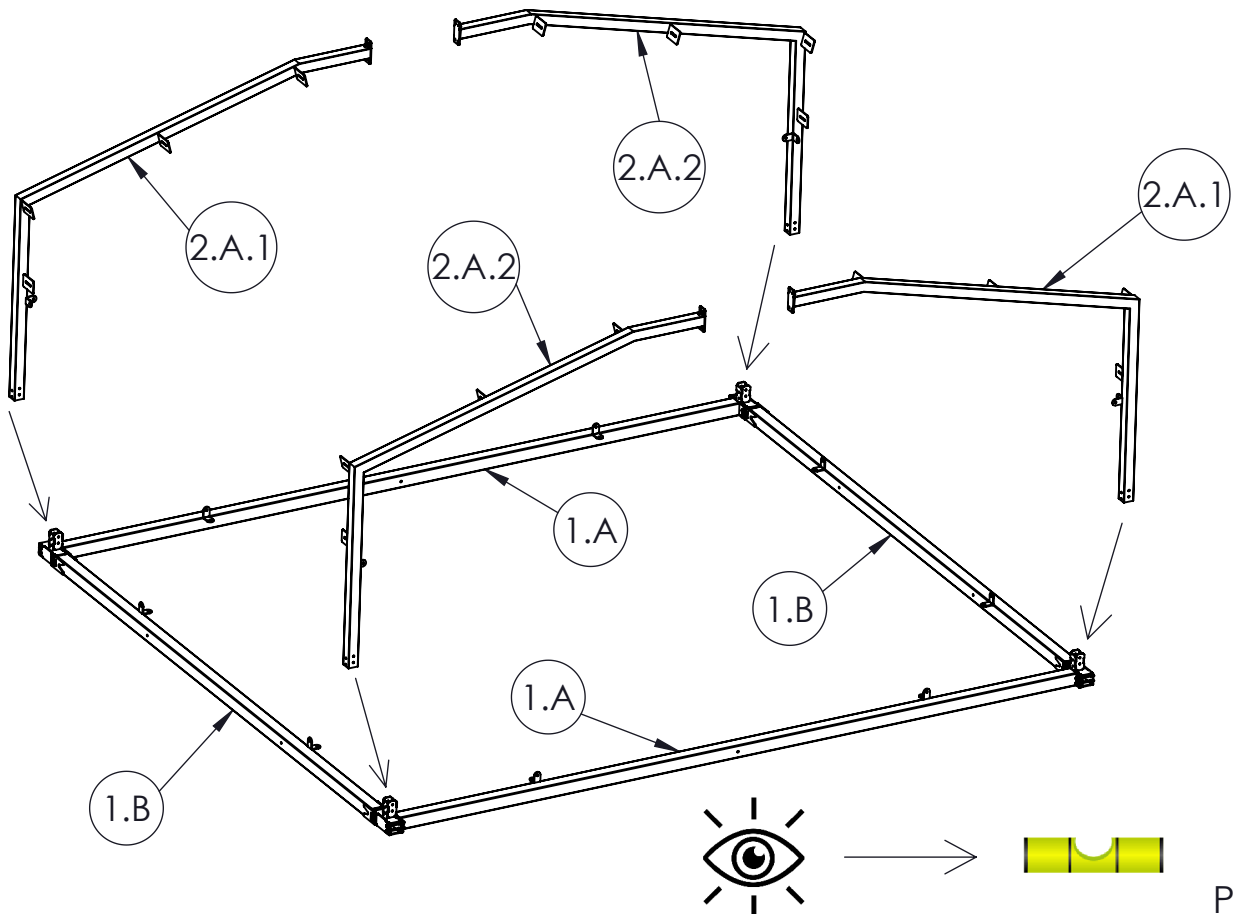
2.F.2 x 4

2.F.3 x 2



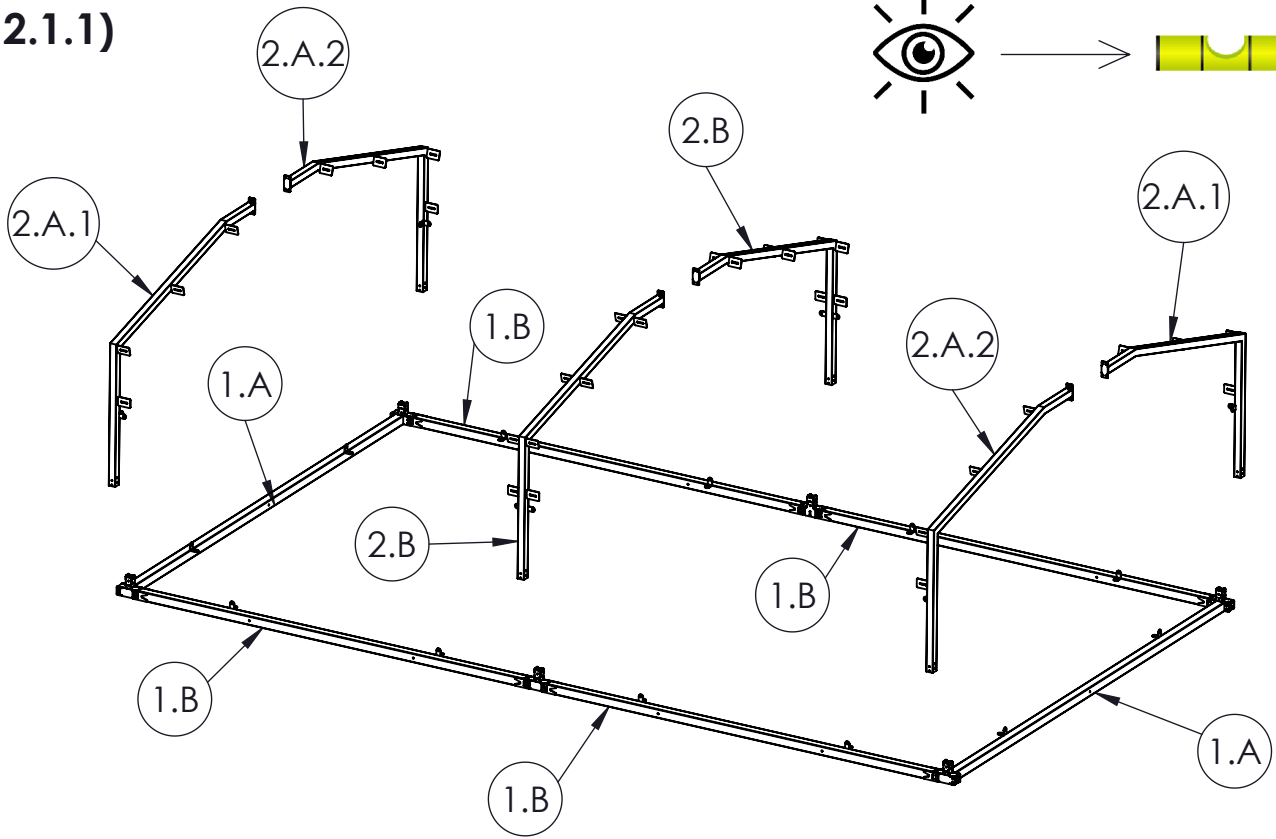
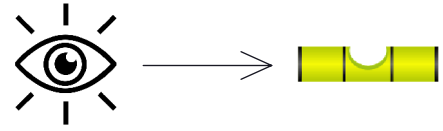
141173 (5 m = 30 m²)

2.1)



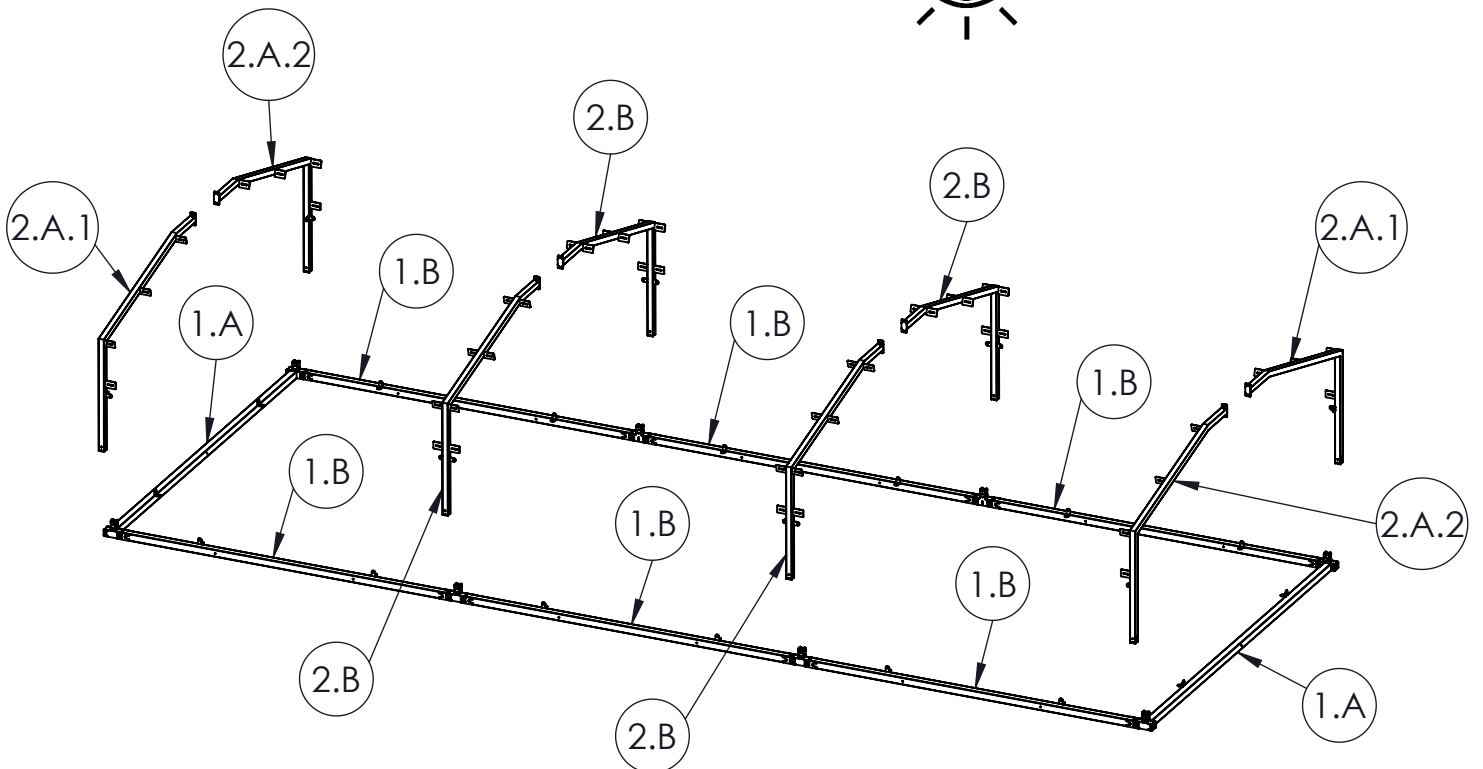
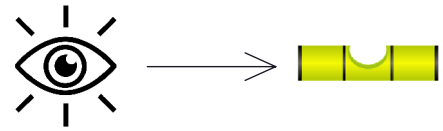
141174 (10 m = 60 m²)

2.1.1)

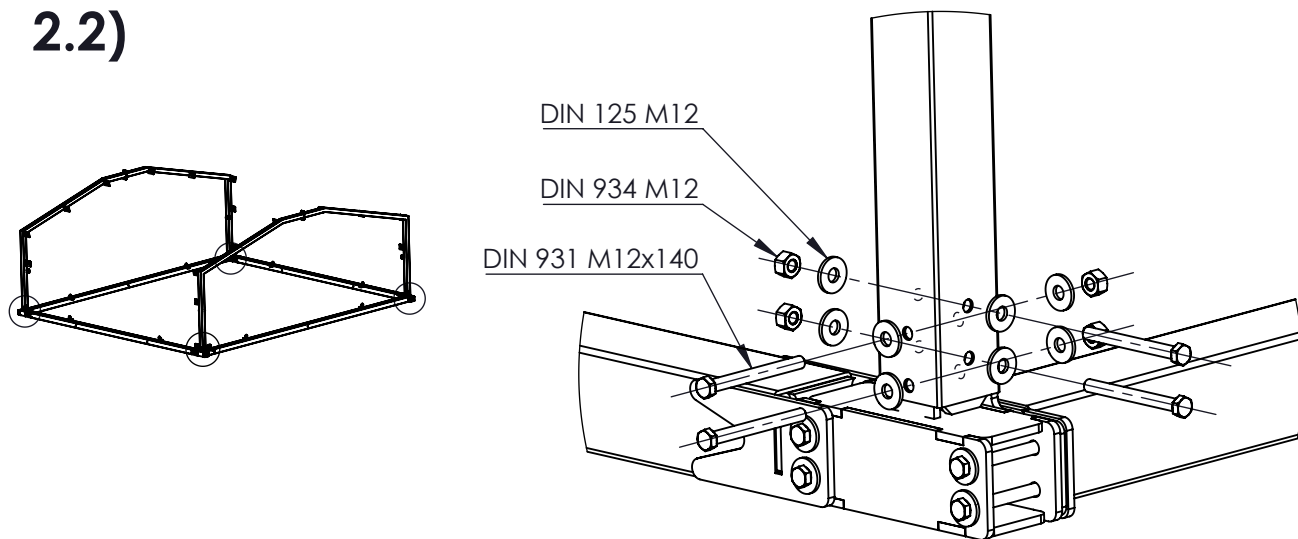


141175 (15 m = 90 m²)

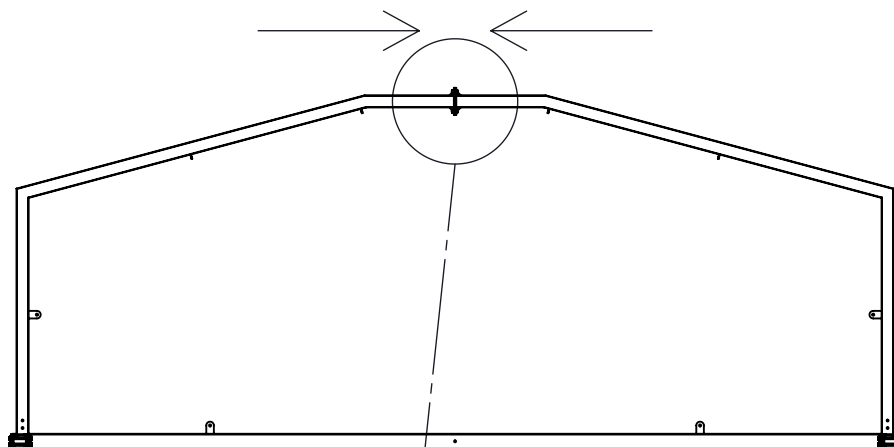
2.1.2)



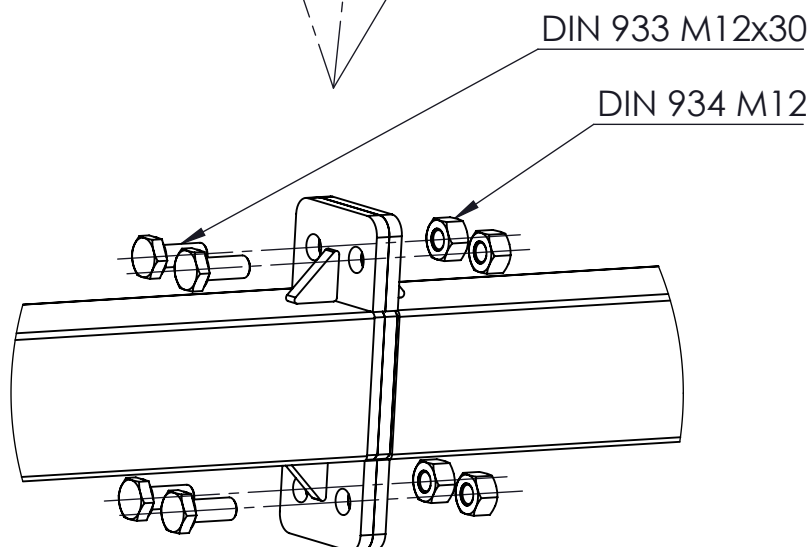
2.2)



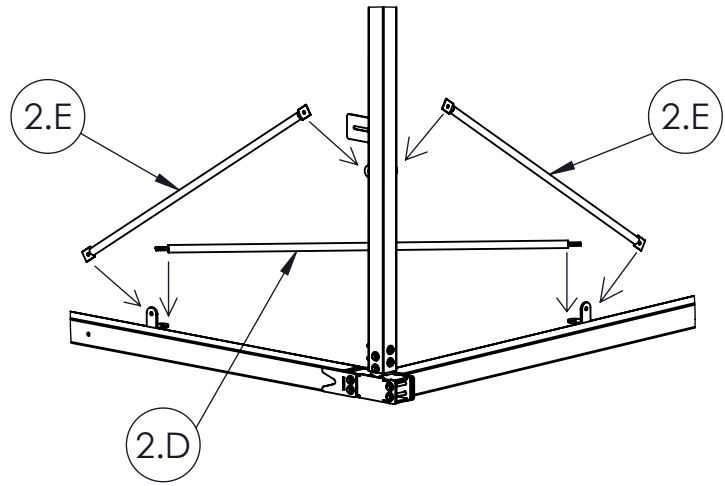
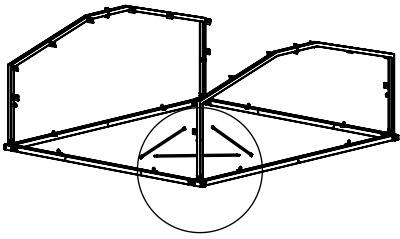
2.3)



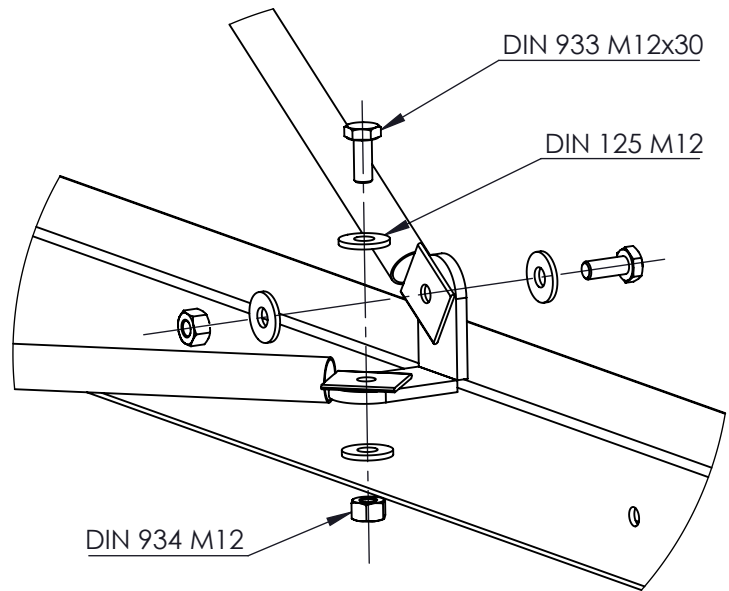
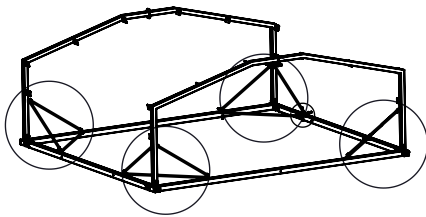
2.4)



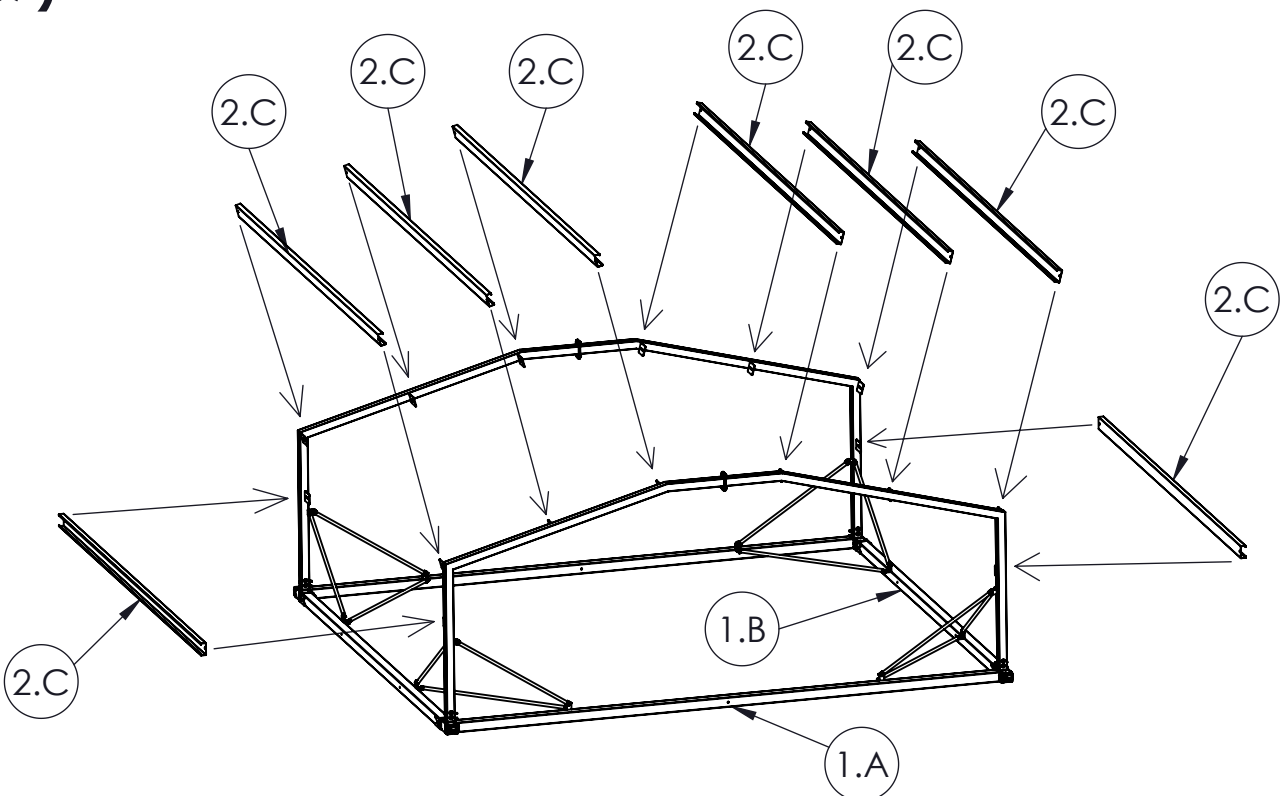
2.5)



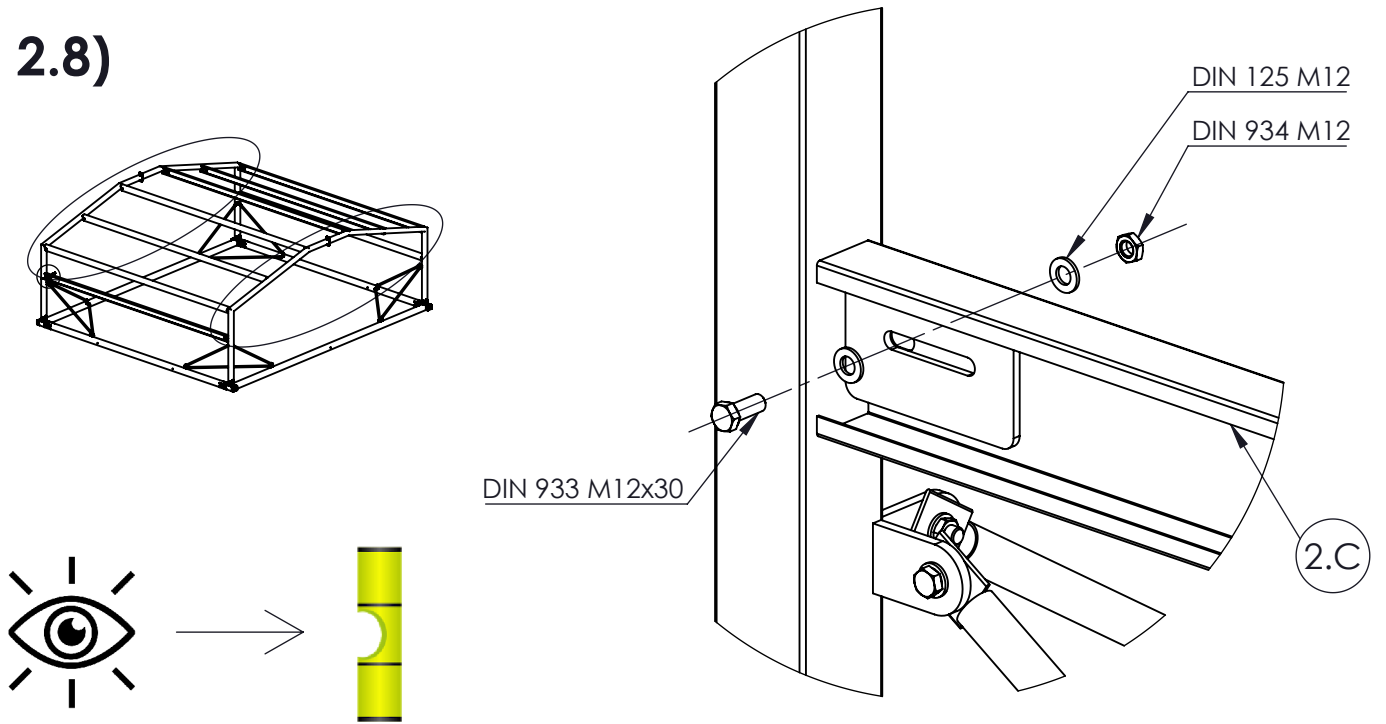
2.6)



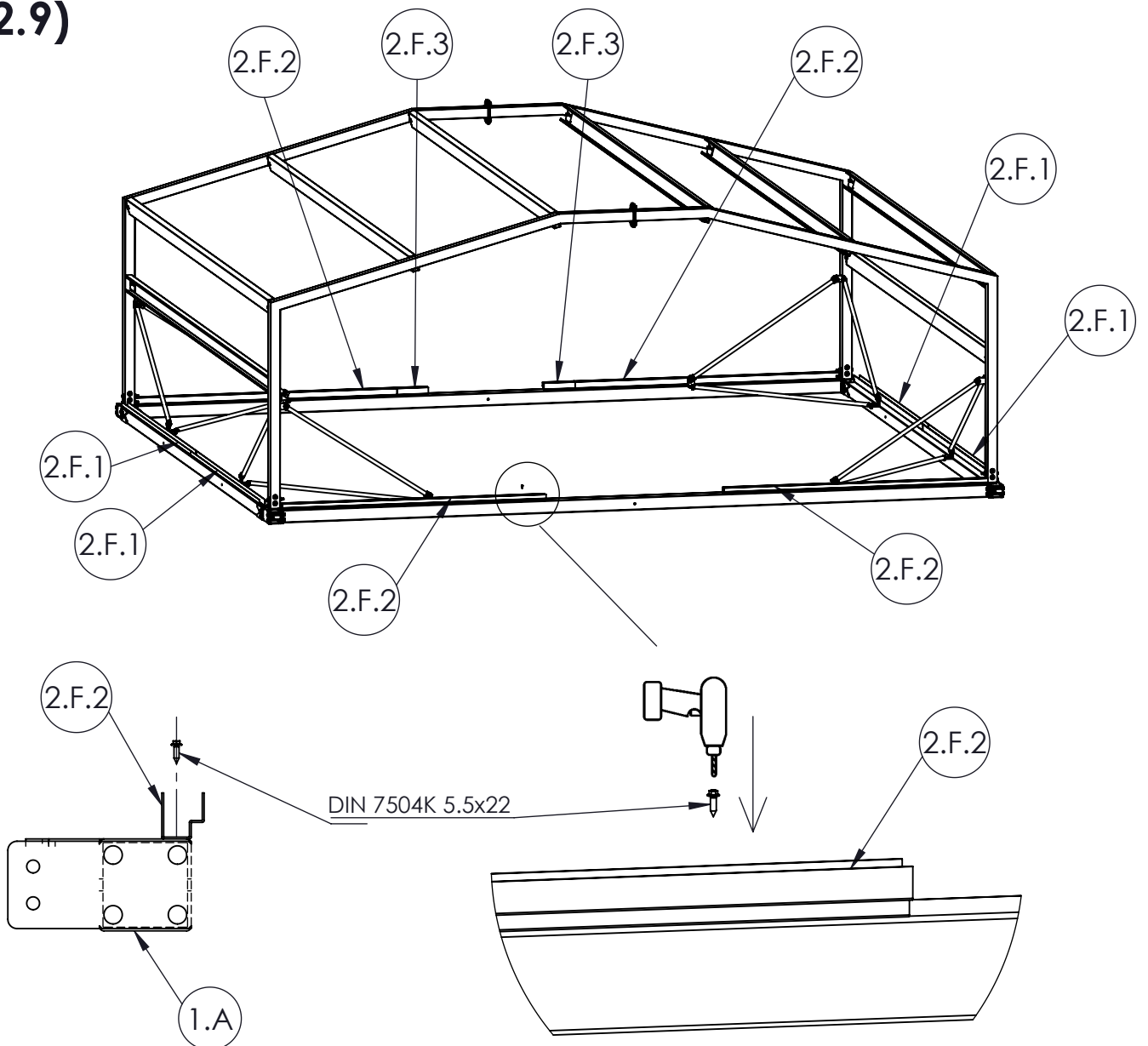
2.7)



2.8)



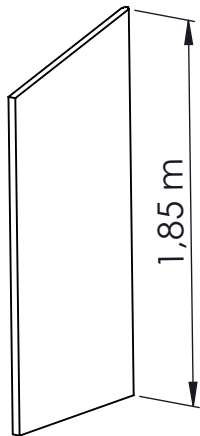
2.9)



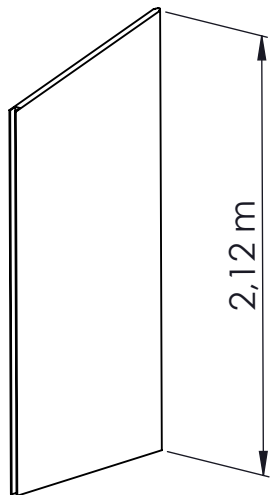
PHASE 3: SANDWICH



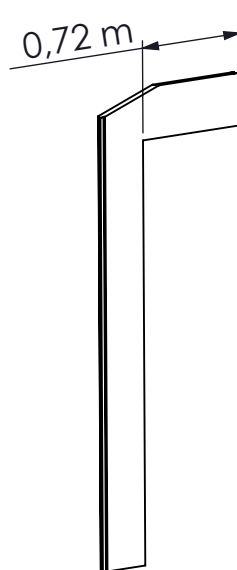
3.A (53011227) x 12



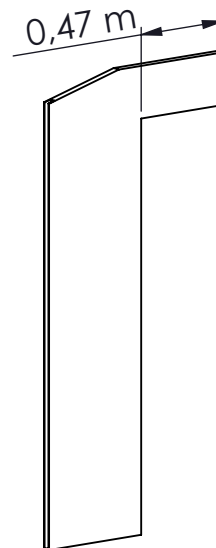
3.A.1 x 4



3.A.2 x 4

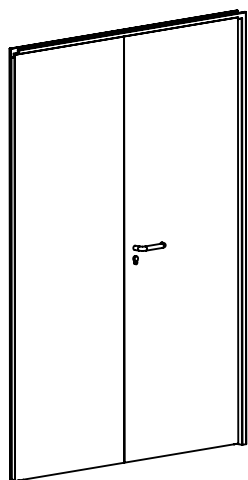


3.A.3 x 2

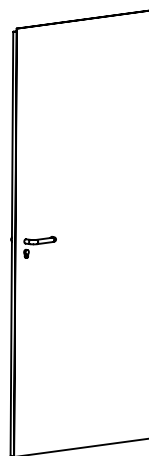


3.A.4 x 2

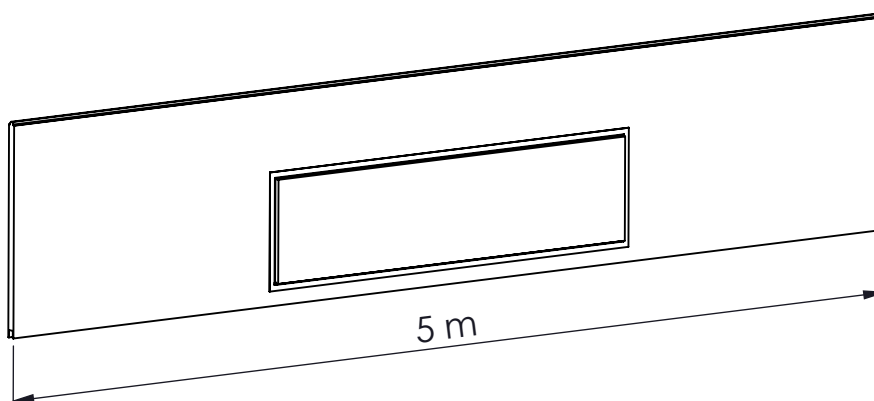
3.B (01142100) x 1



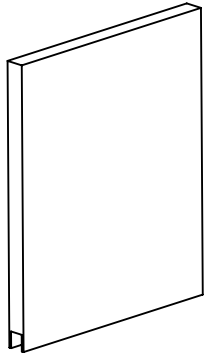
3.C (01142500) x 1



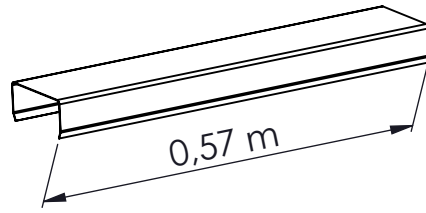
3.D.1 (53011228) x 2



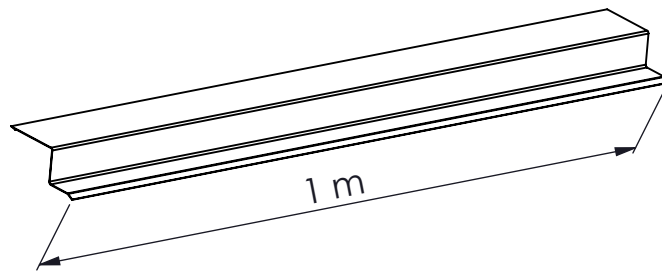
3.D.2 (53011228) x 4



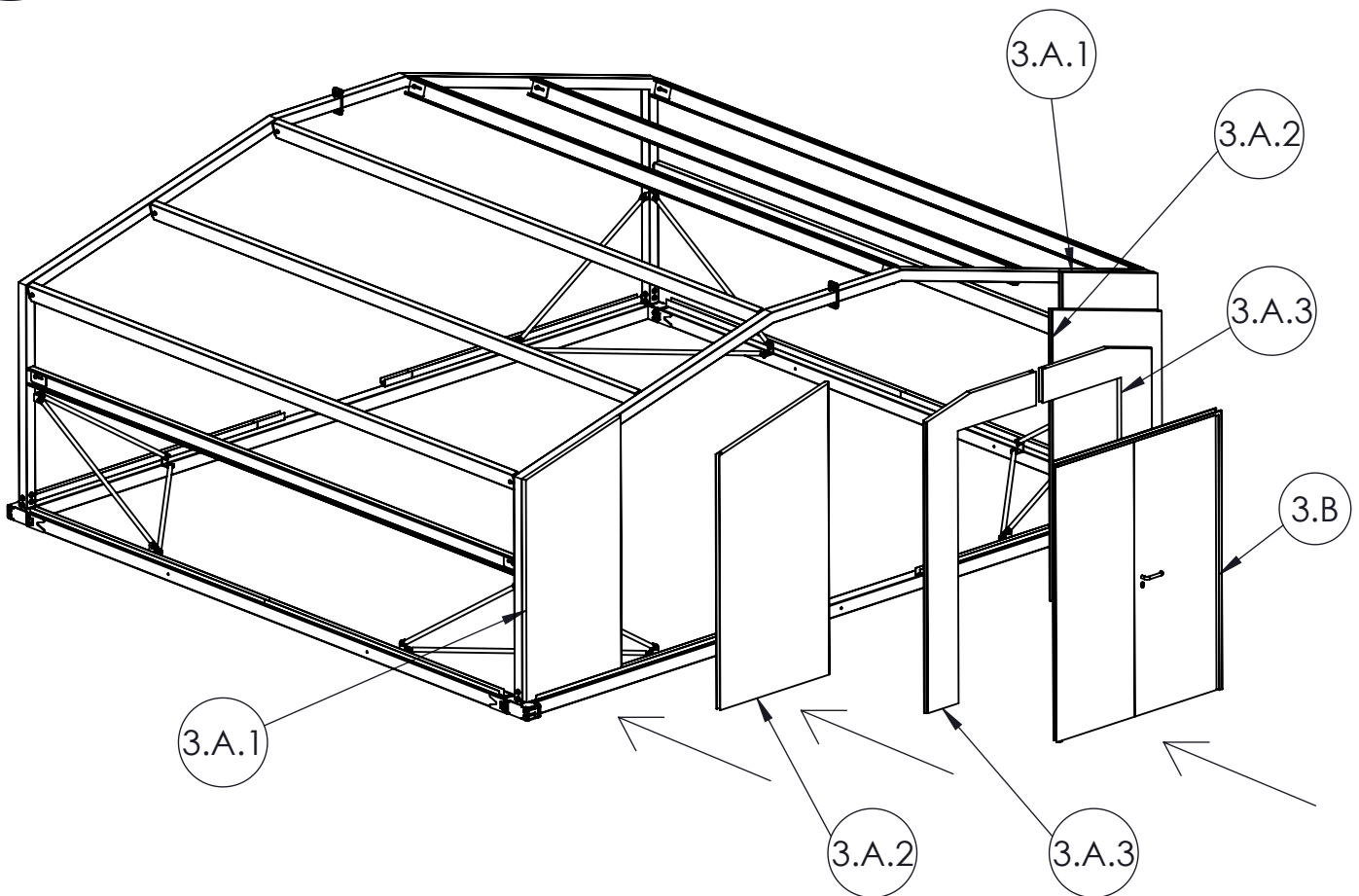
3.E (53011215) x 12



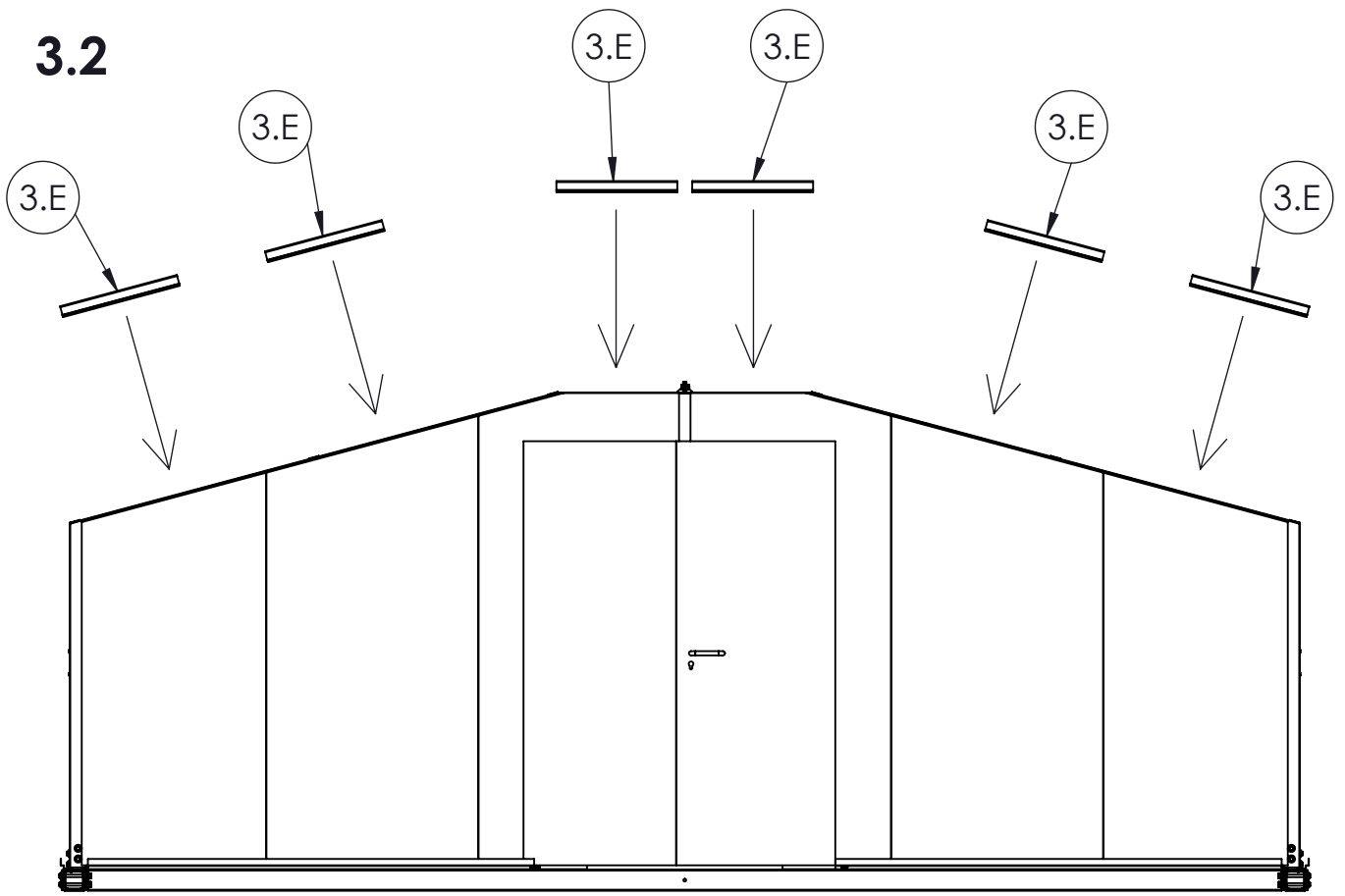
3.F (53011216) x 12



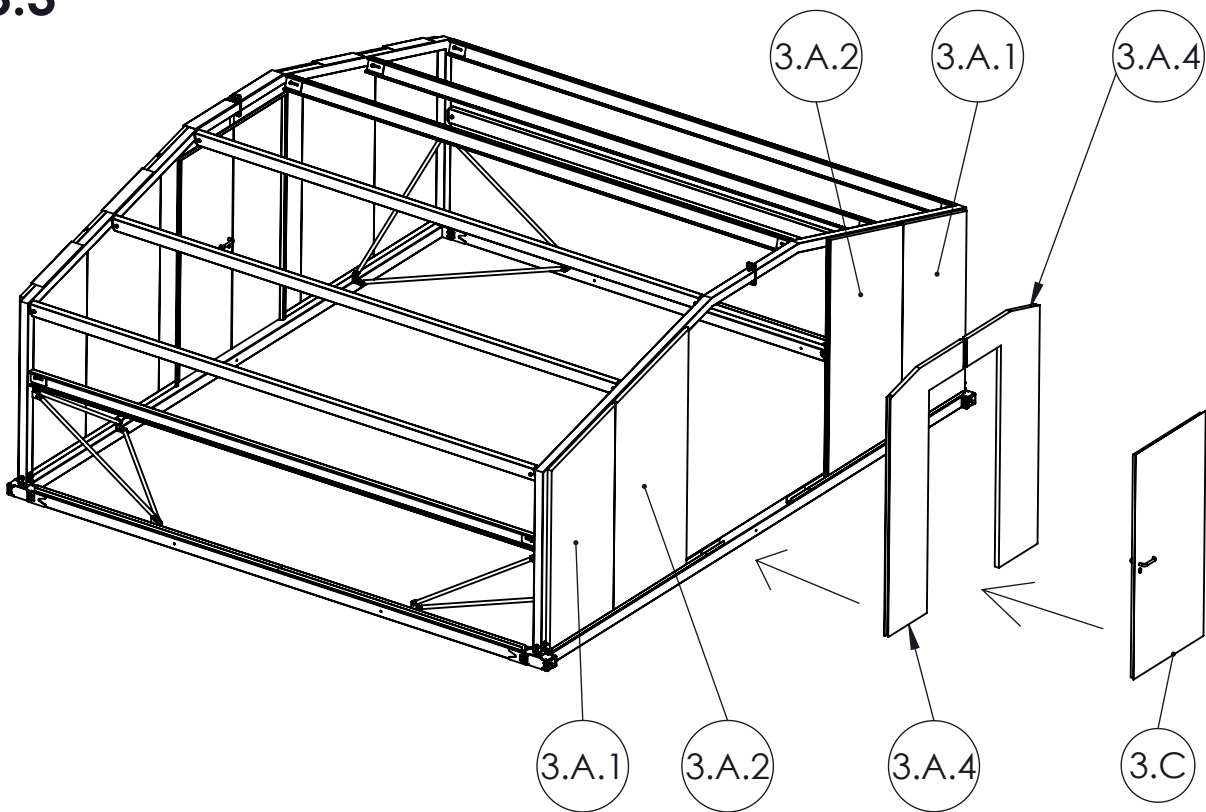
3.1



3.2

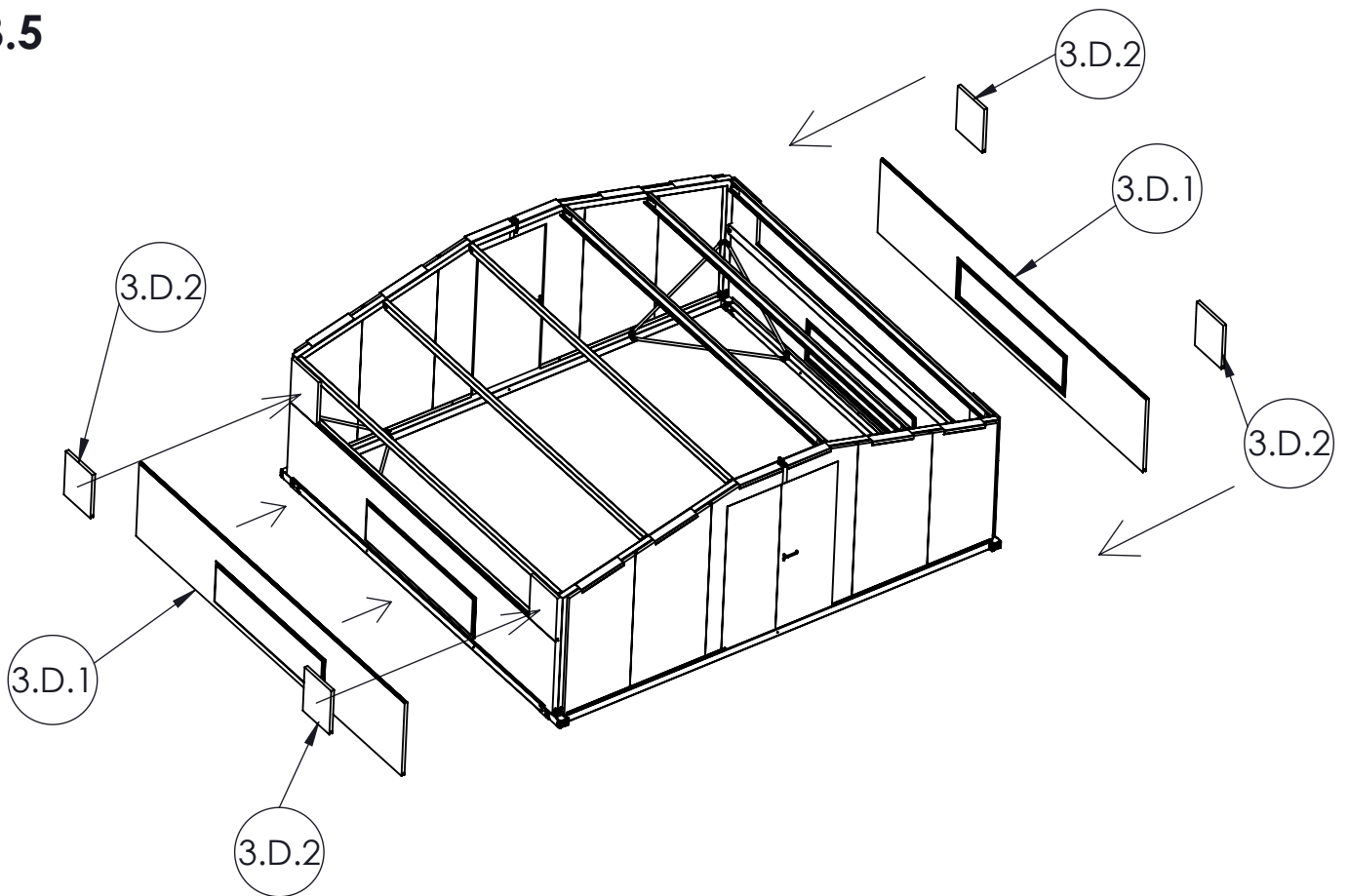


3.3



→ **3.4 = 3.2**

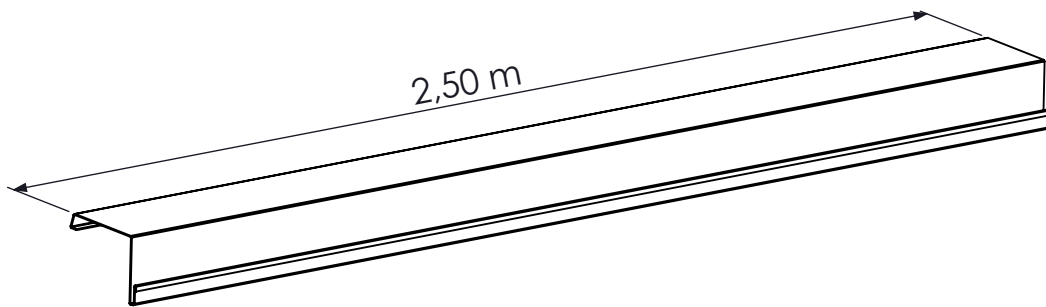
3.5



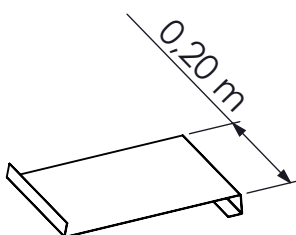
PHASE 4: DACH



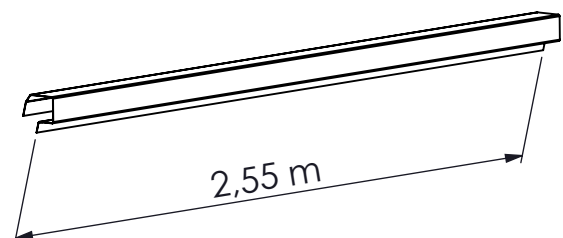
4.A (53011229) x 4



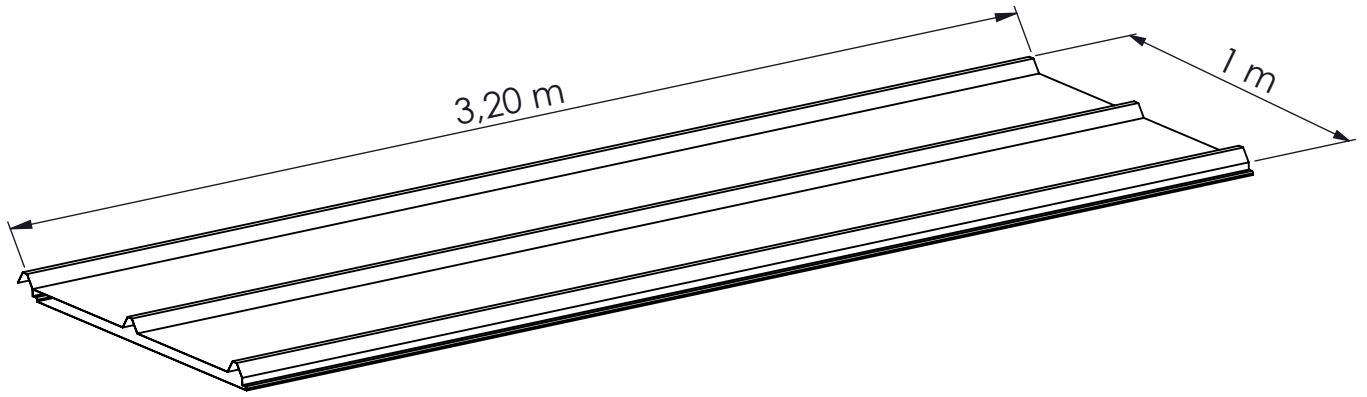
4.B (53011214) x 10



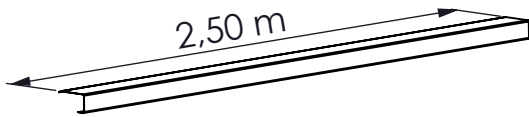
4.C (53011219) x 4



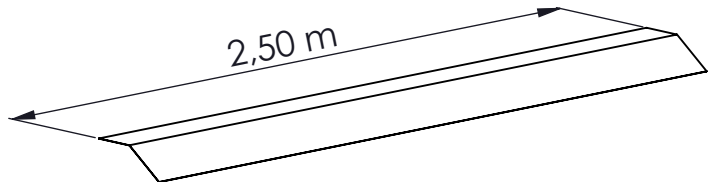
4.D (75203400) x 10



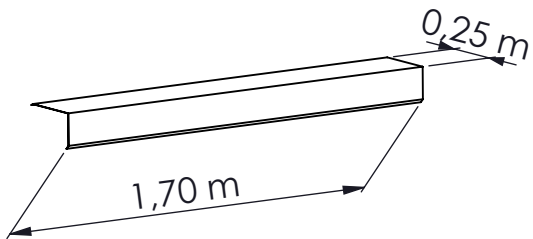
4.E (53011225) x 4



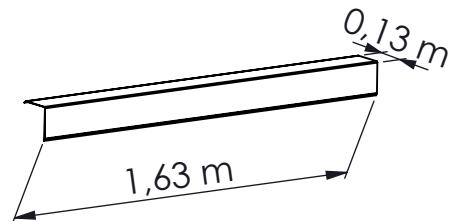
4.F (53011217) x 2



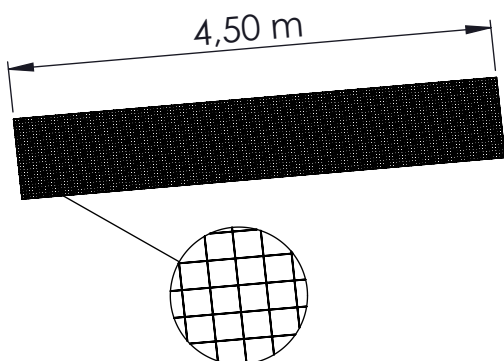
4.G (53011220) x 8



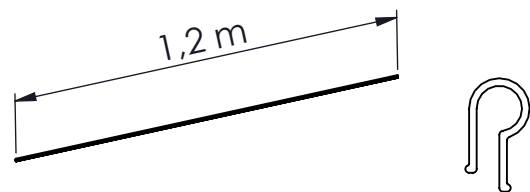
4.H (53011224) x 4

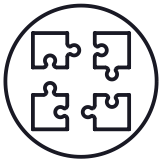


4.I (03012900) x 2

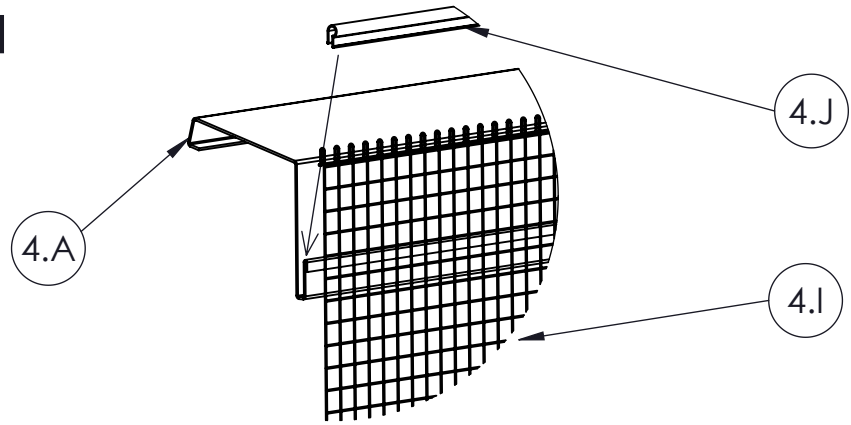


4.J (73510200) x 18

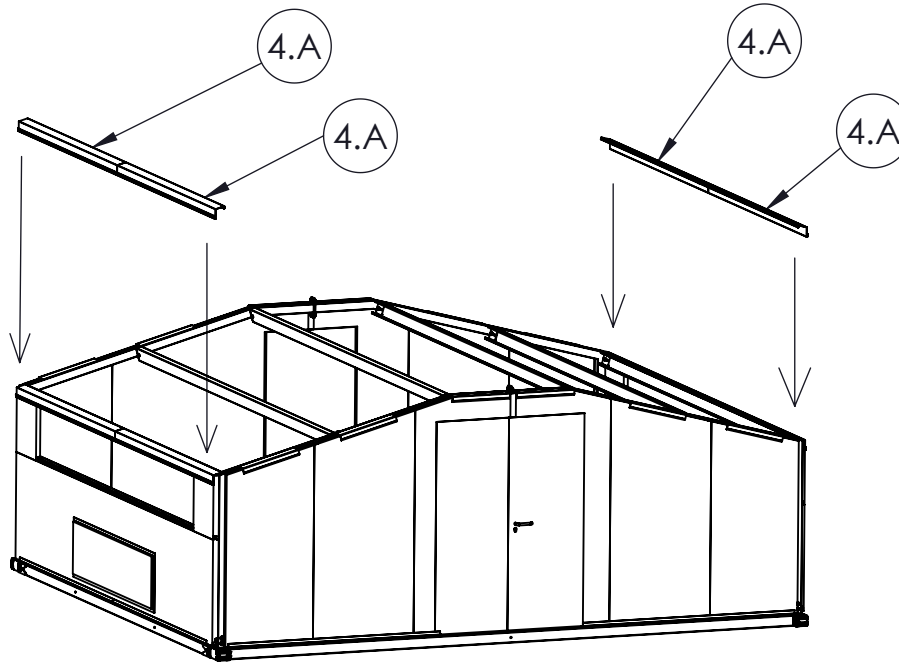




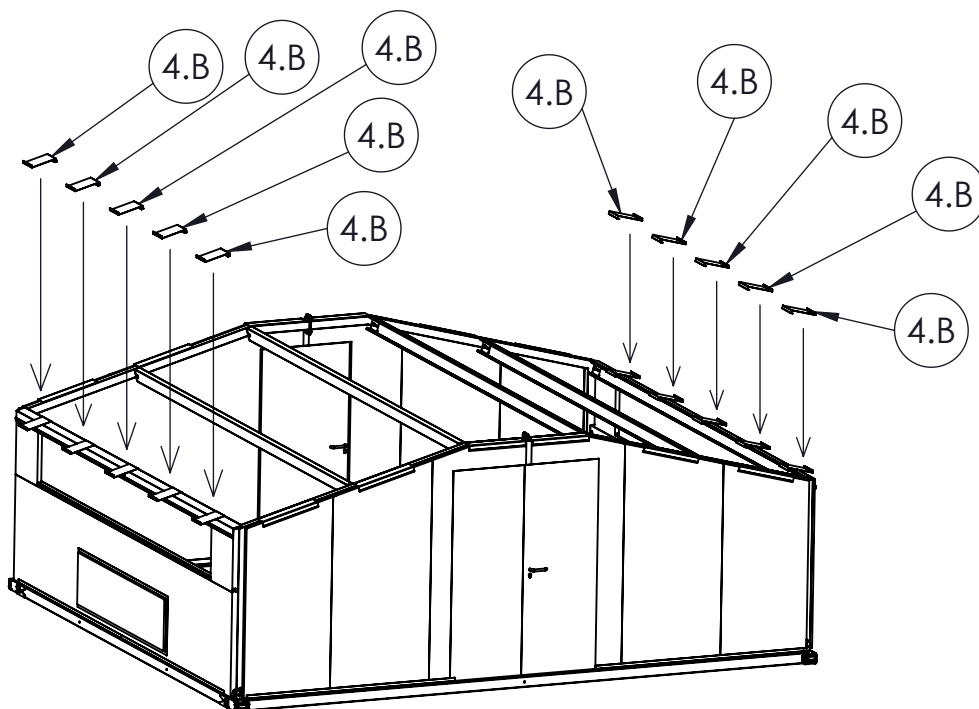
4.1.1



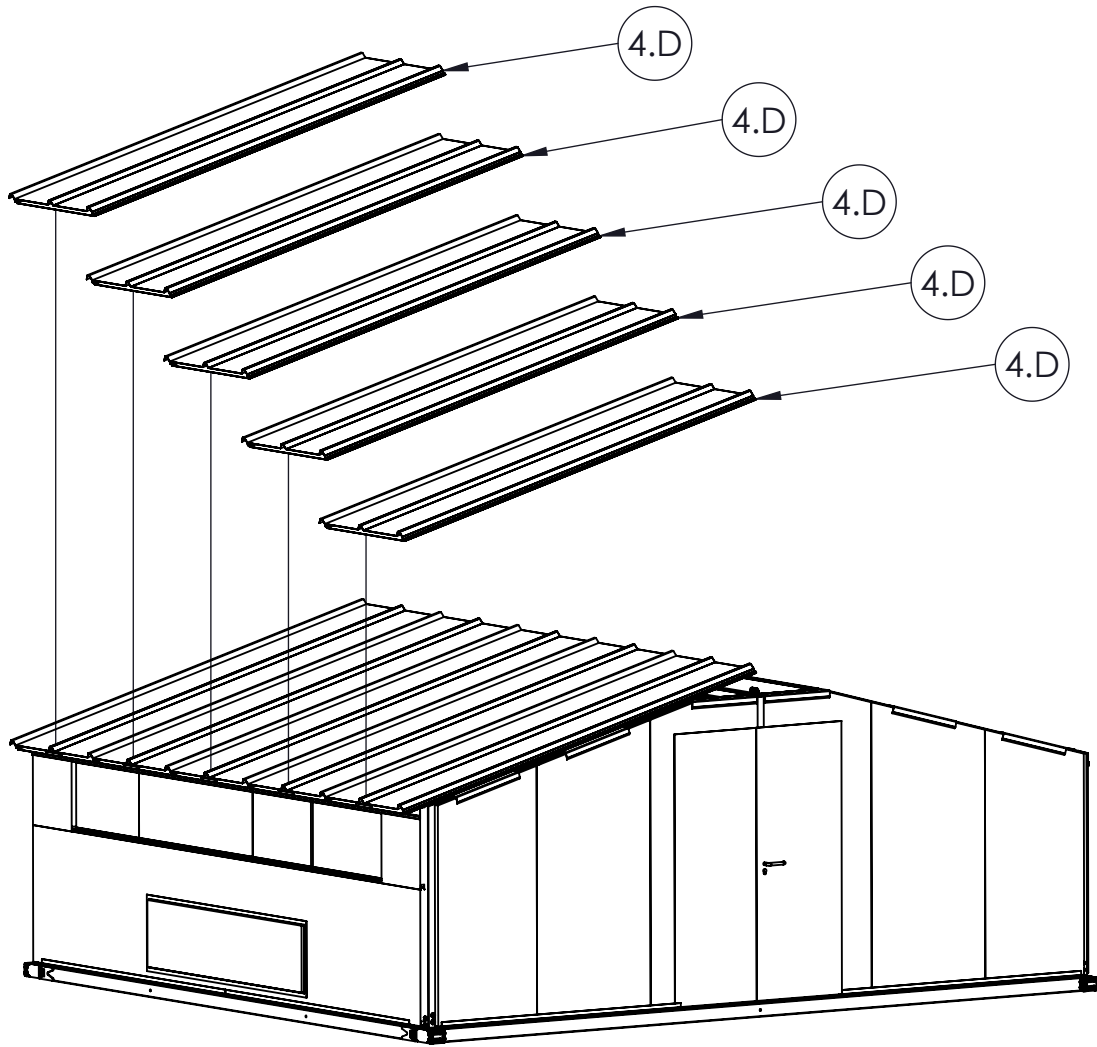
4.1.2



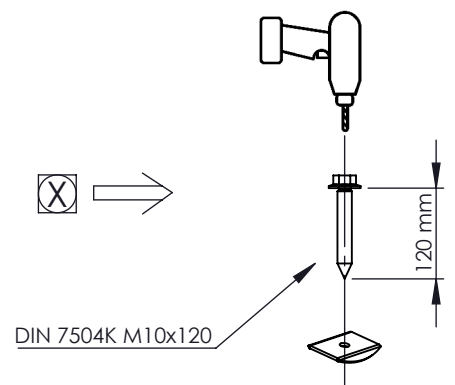
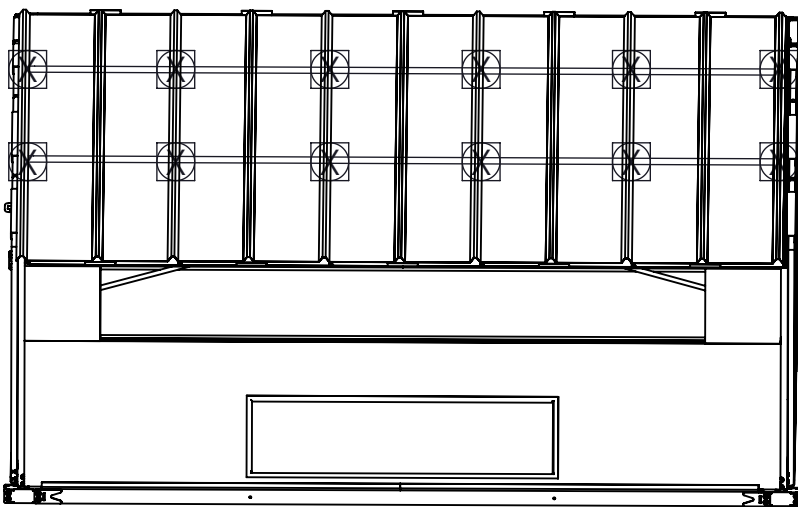
4.2



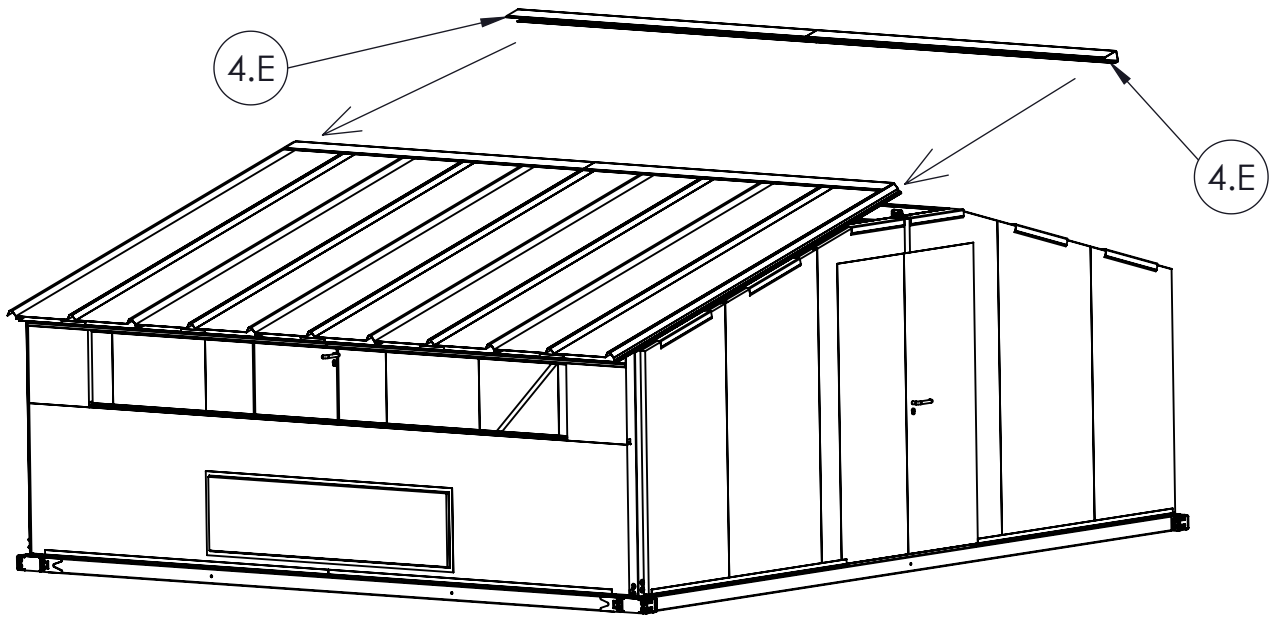
4.3



4.4

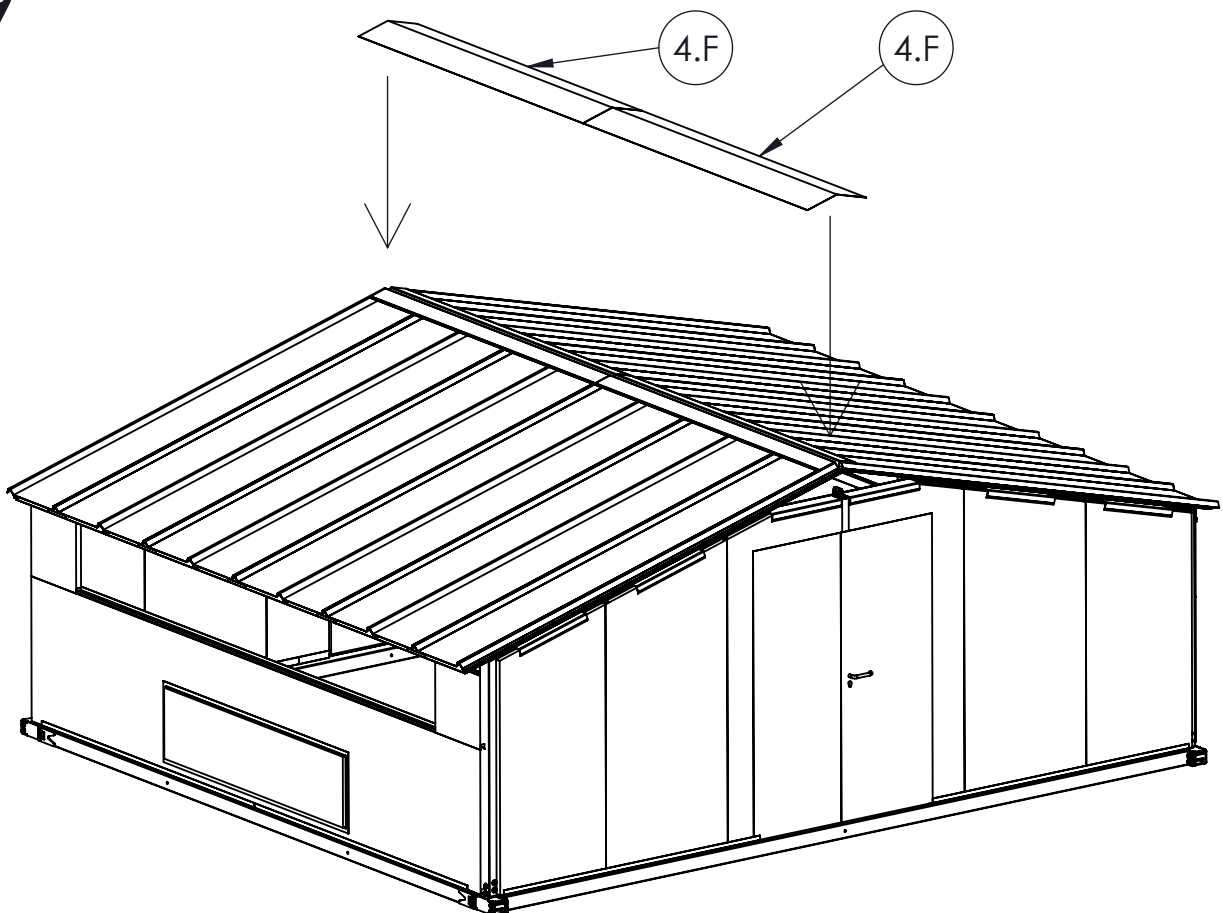


4.5

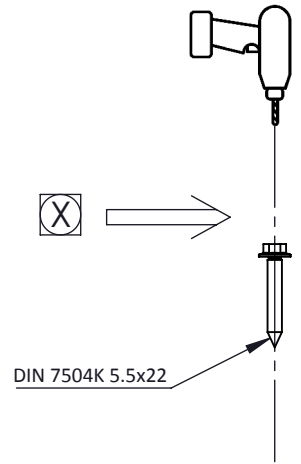
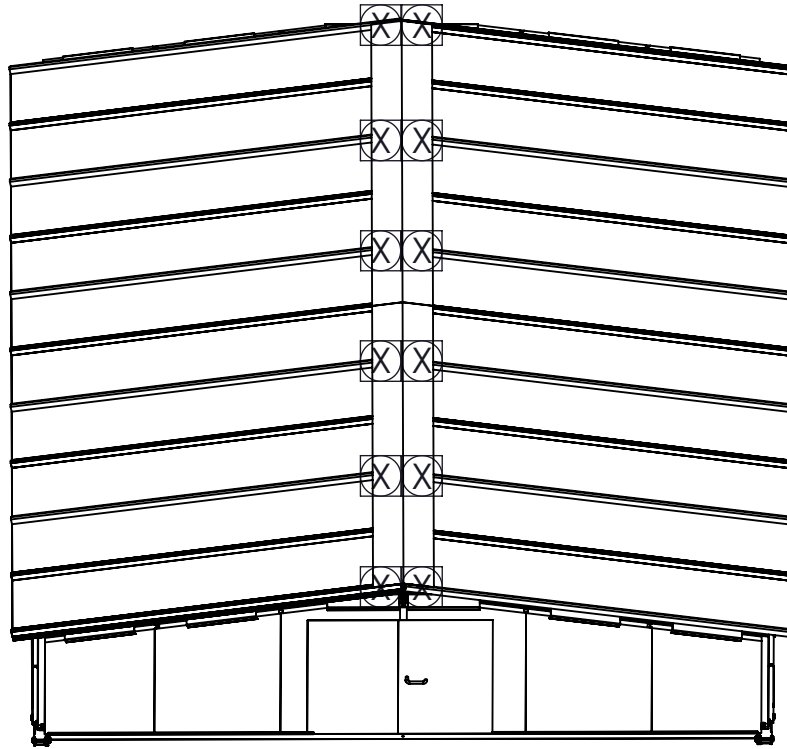


4.6 = 4.3
4.7 = 4.4
4.8 = 4.5

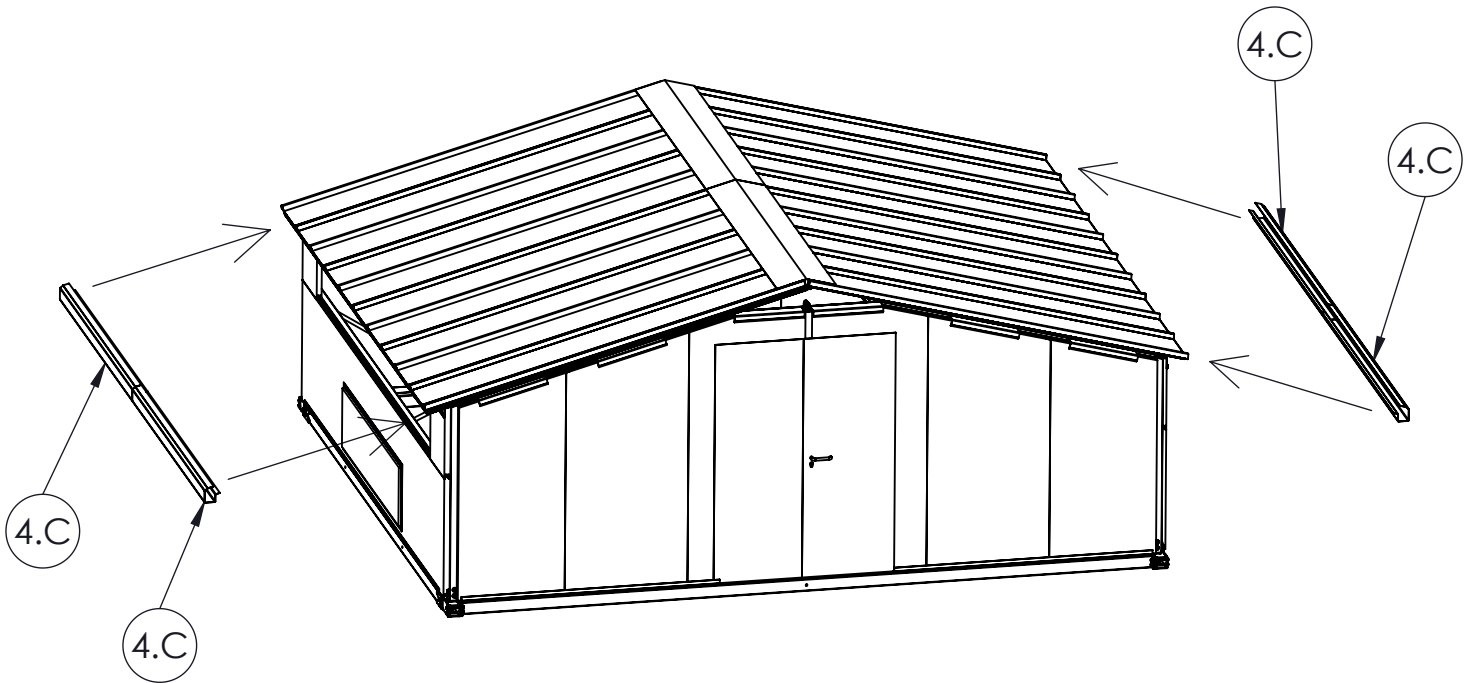
4.9



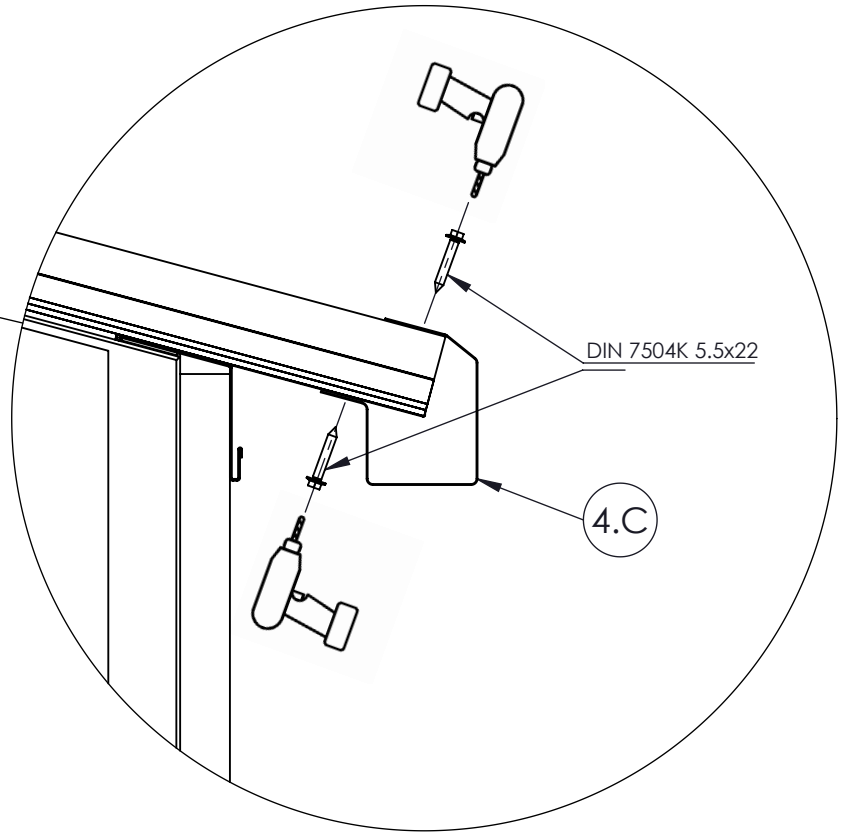
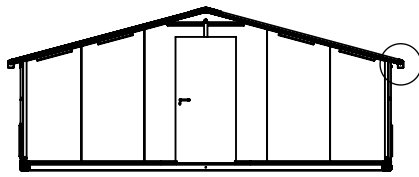
4.10



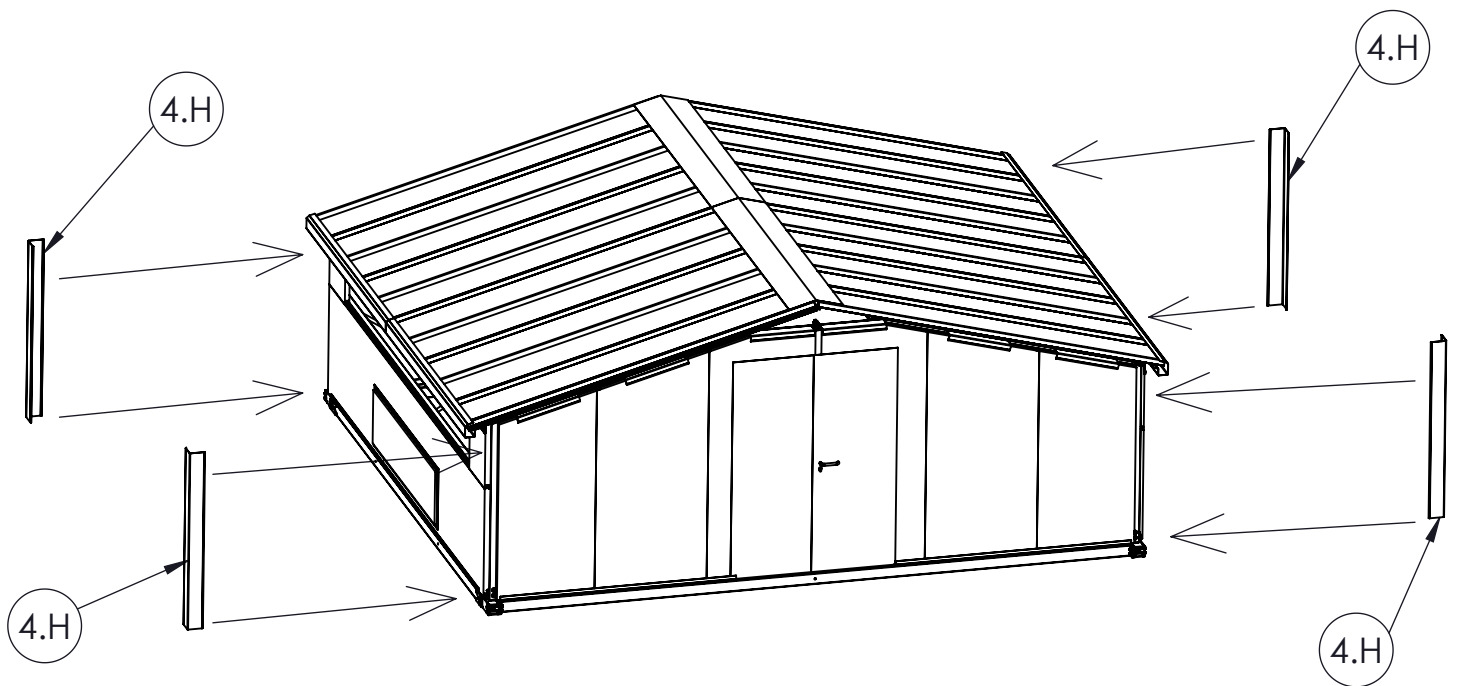
4.11



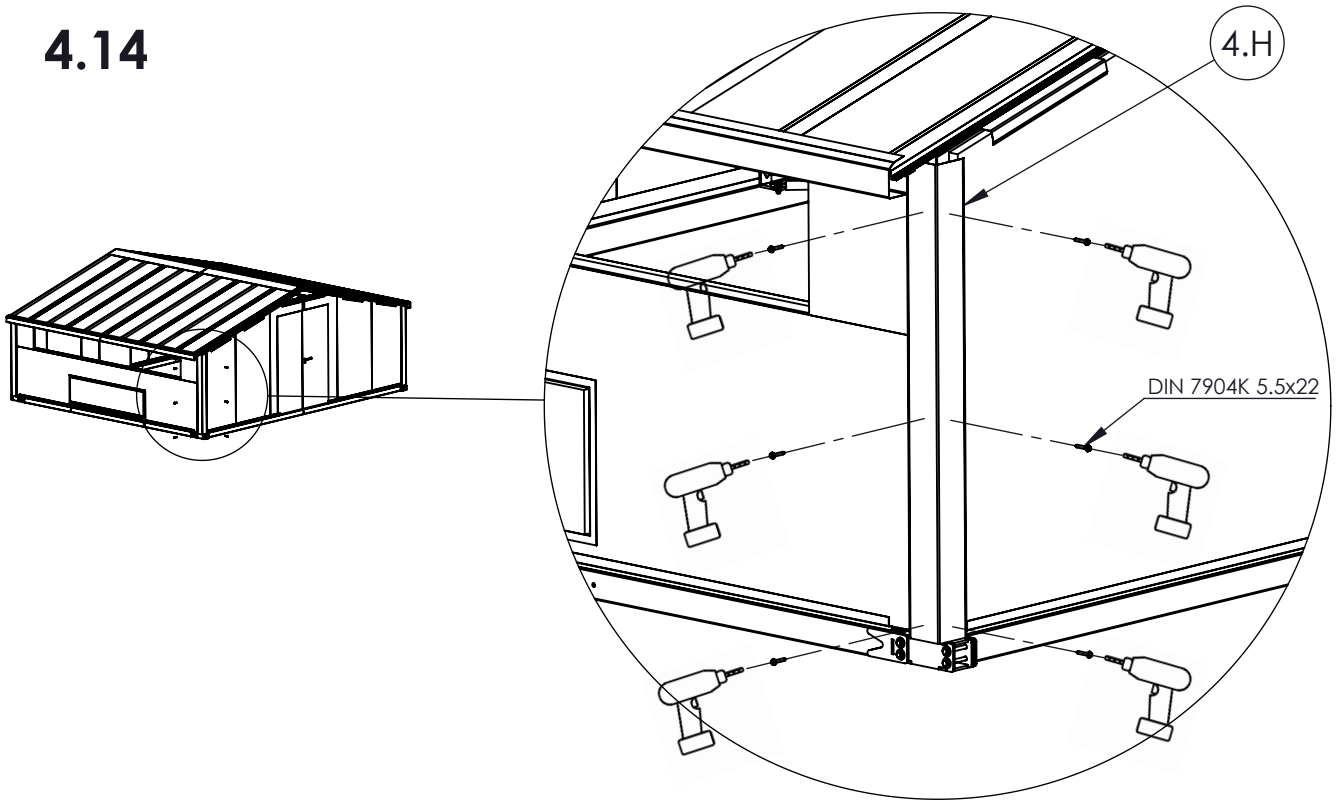
4.12



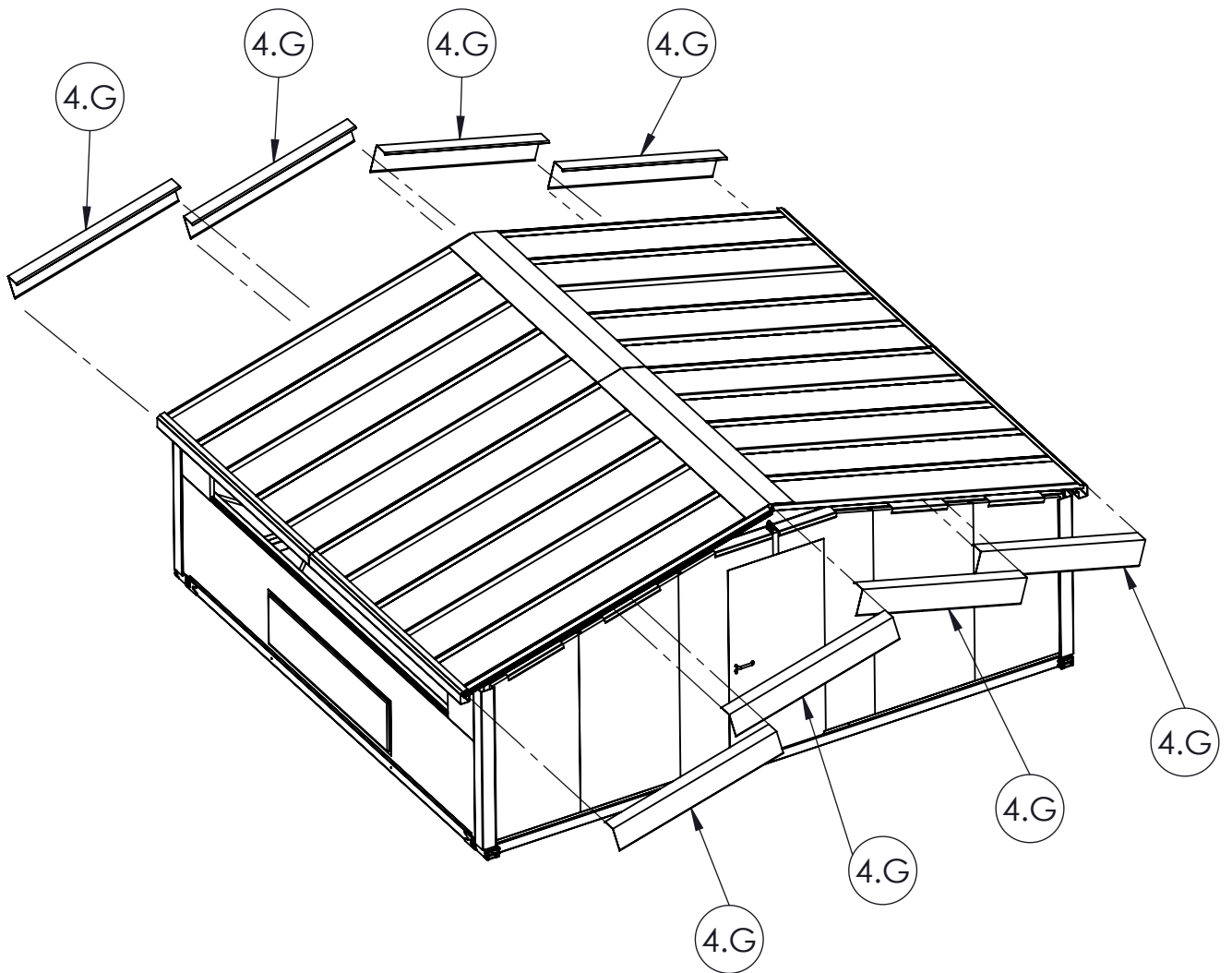
4.13



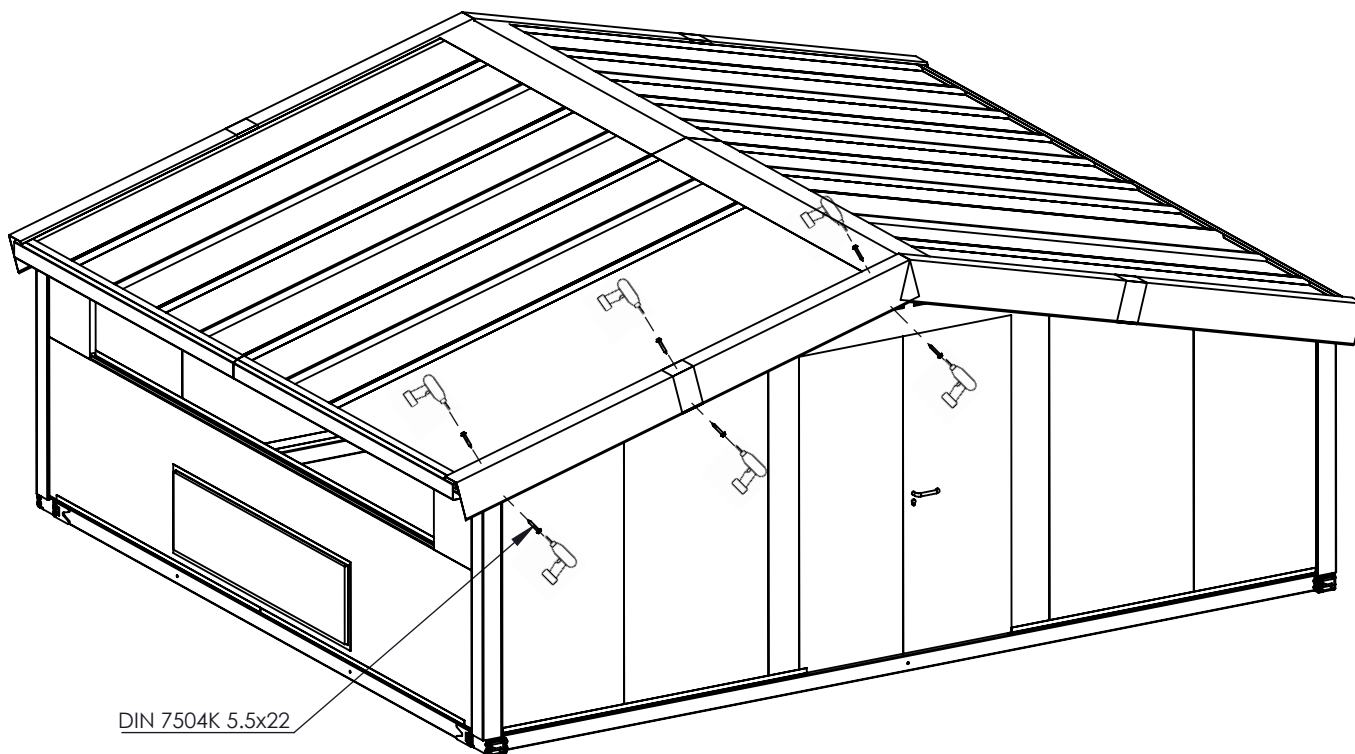
4.14



4.15



4.16



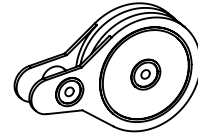
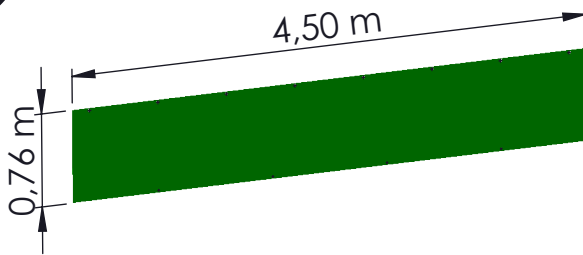
DIN 7504K 5.5x22

PHASE 5: VEREDELUNGSMATERIALIEN



5.A (03012000) x 2

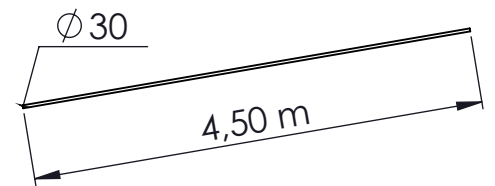
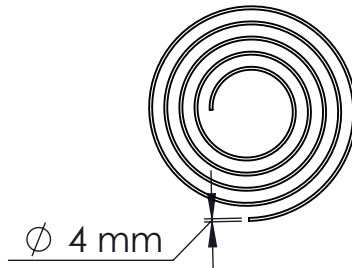
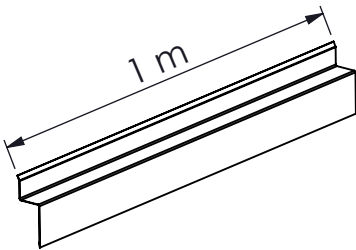
5.B (79001100) x 8



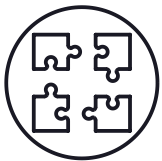
5.C (53011216) x 4

5.D (78905500)

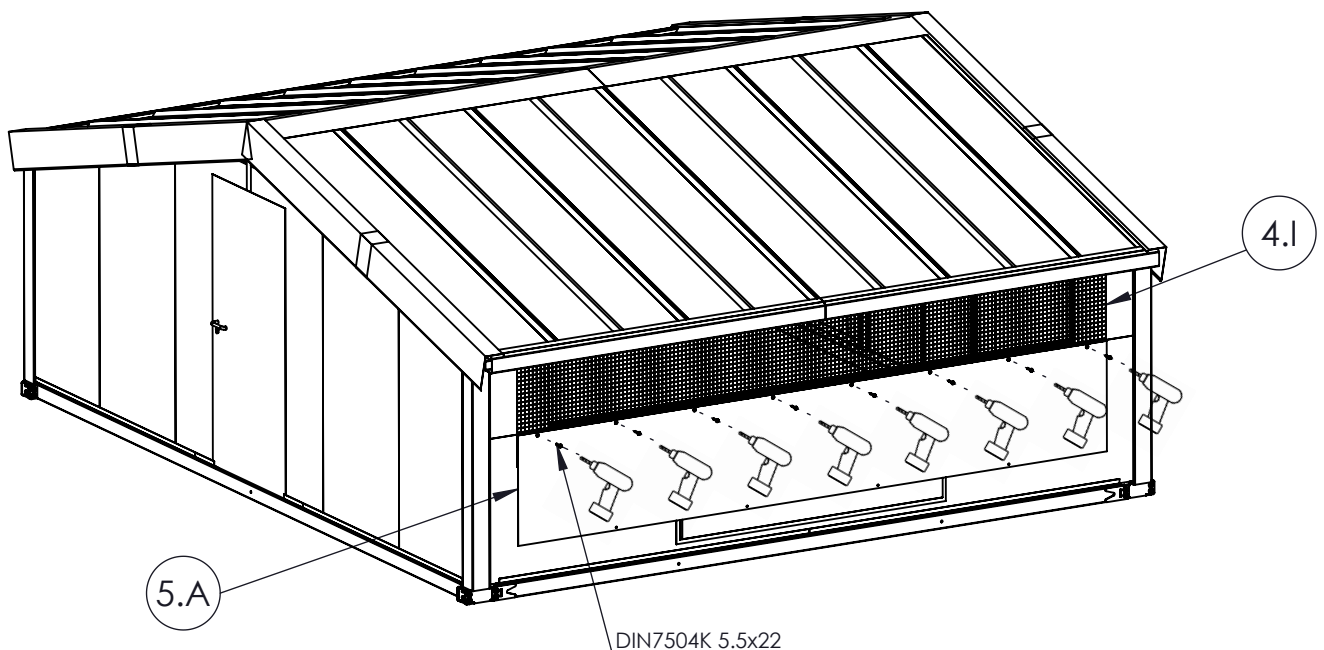
5.E (53011239) x 2



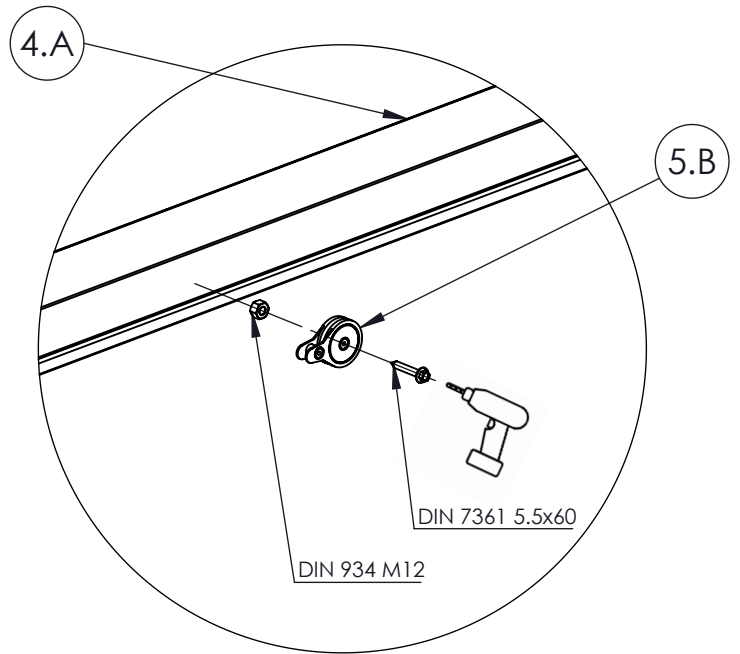
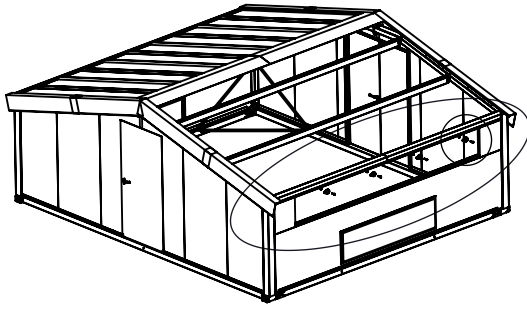
5.F



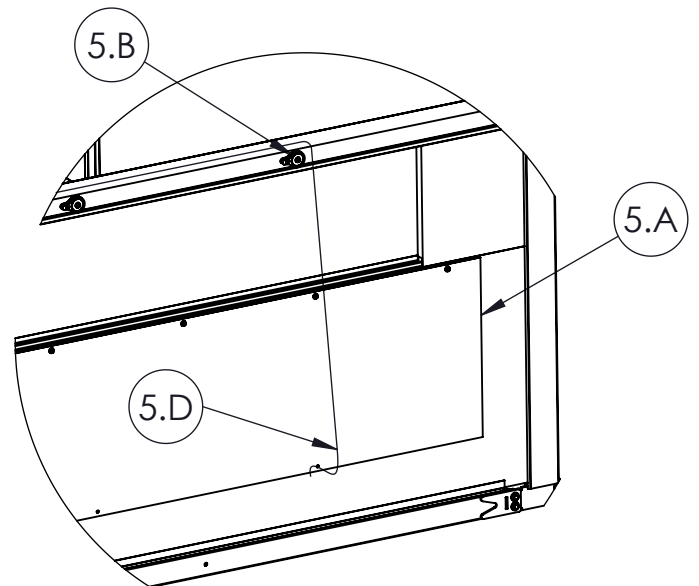
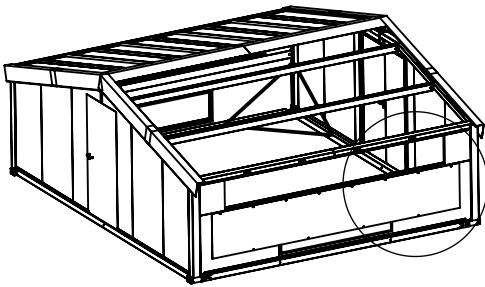
5.1



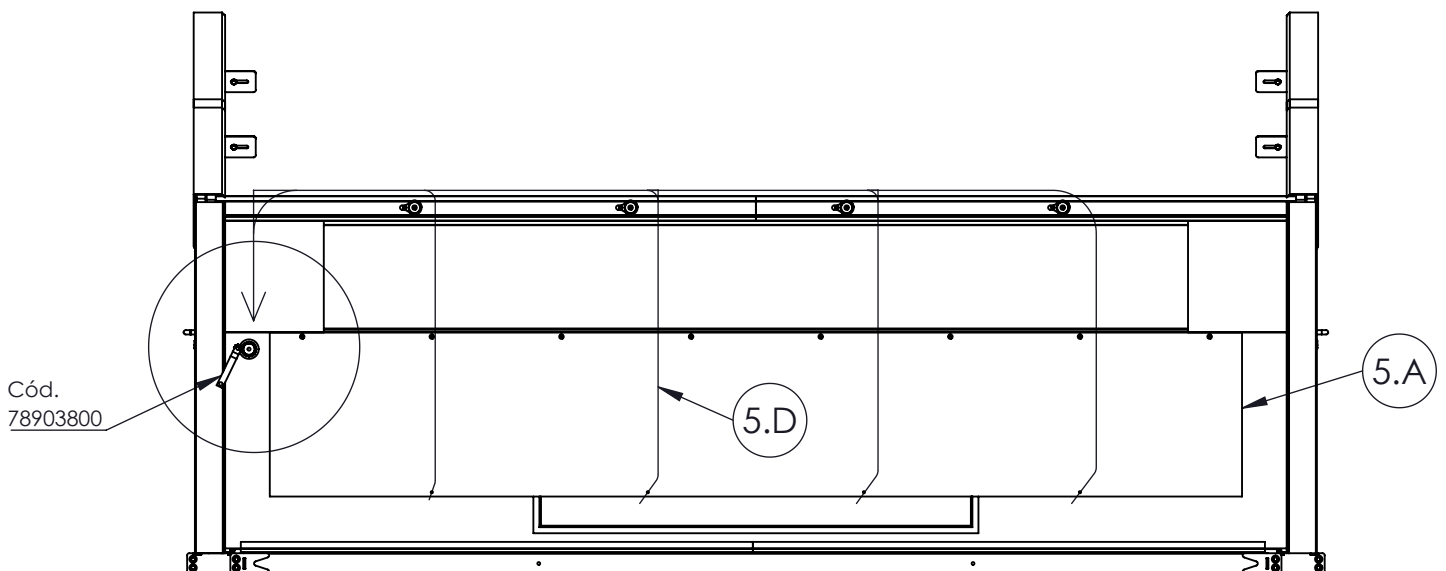
5.2



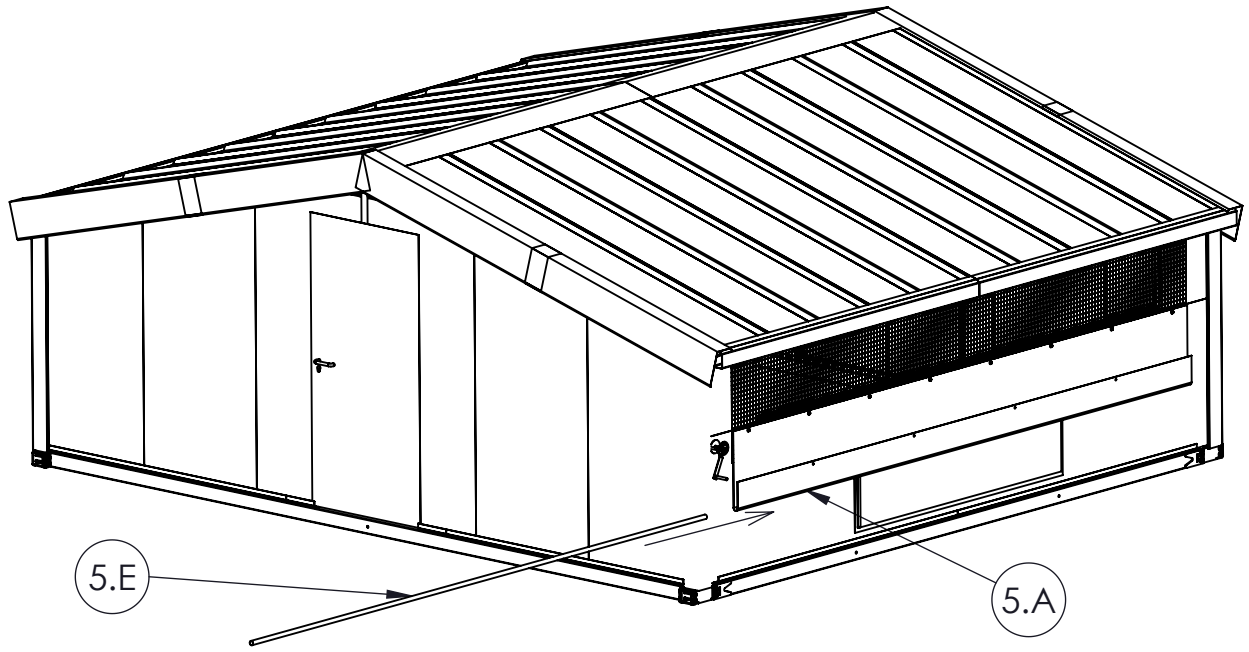
5.3



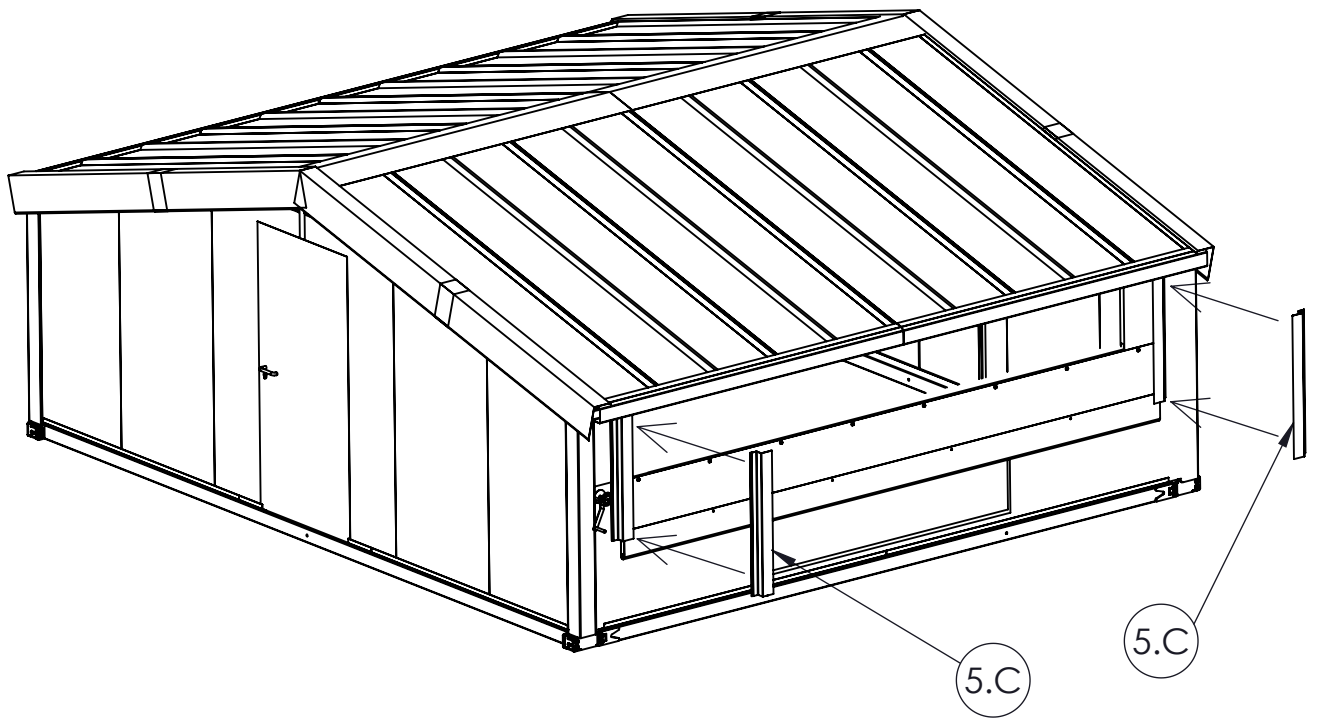
5.4



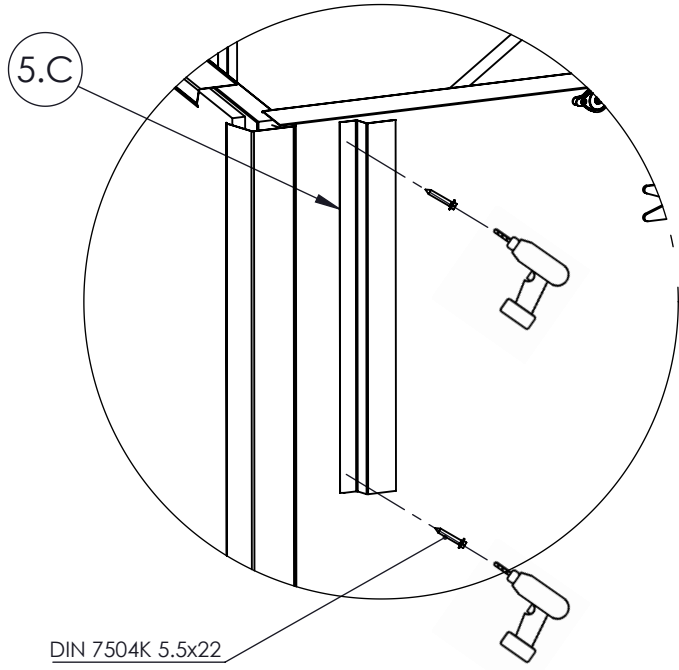
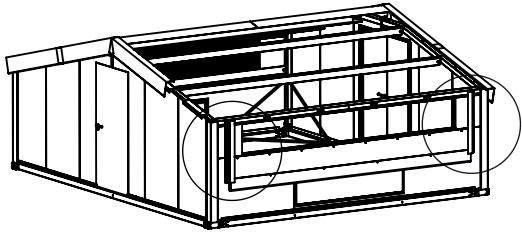
5.5



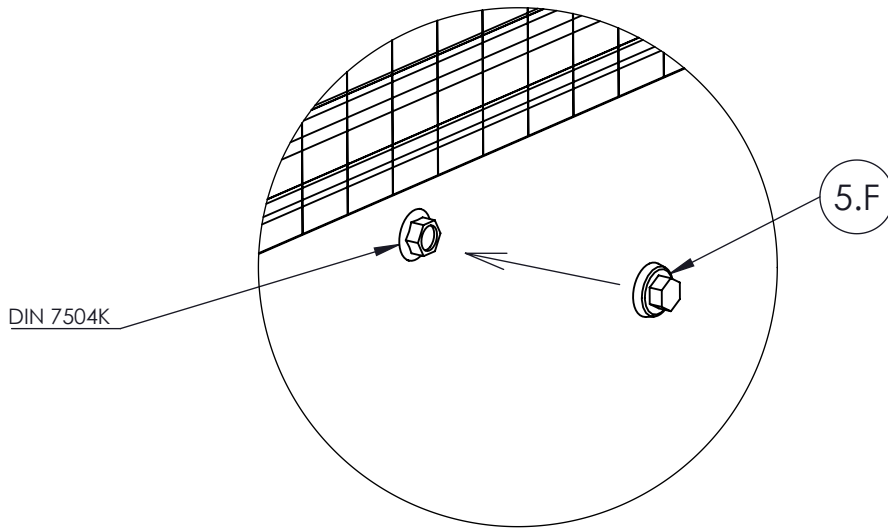
5.6



5.7



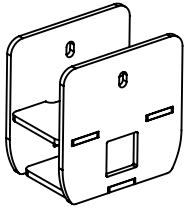
5.8



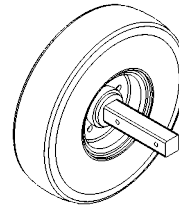
PHASE 6: VERBINDUNGS - UND RÄDERSET (141176)
PASSEND ZU MOBILER HÜHNERHOF



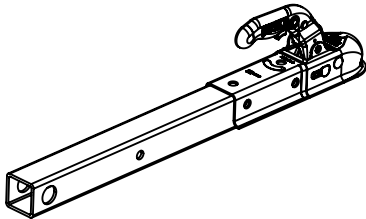
6.A (53010702)
x 3 (5 m)
x 1 (10-15 m)



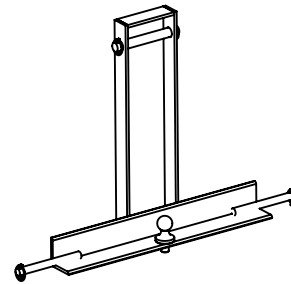
6.B (73010704)+(53010704)
x 2 (5 m)
x 4 (10-15 m)



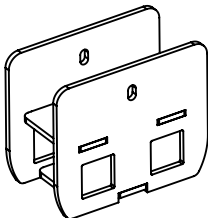
6.C (53010703)+(73010707)
x 1



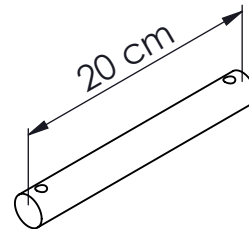
6.D (53010701) x 1



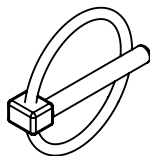
6.E (53015201)
x 2 (10-15 m)



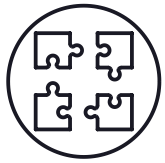
6.F (53010709) x 1



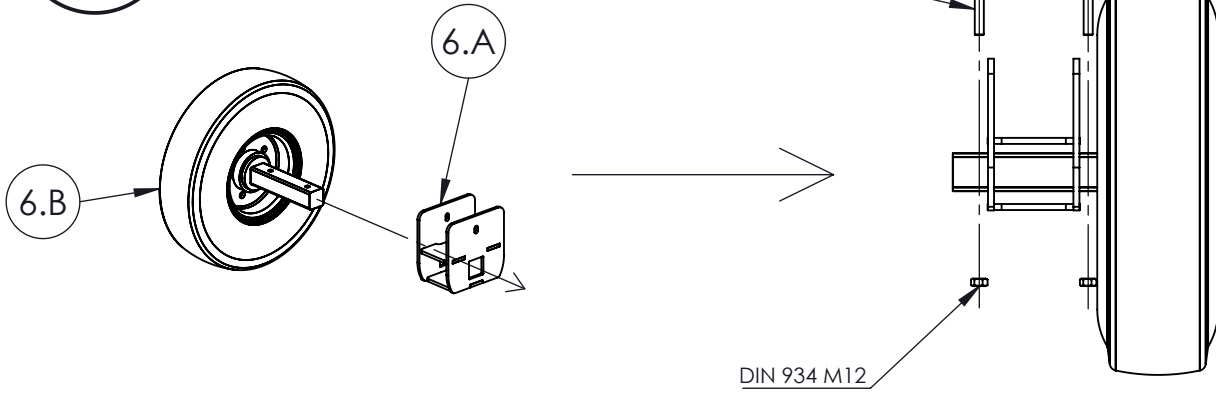
6.G (78111000) x 2



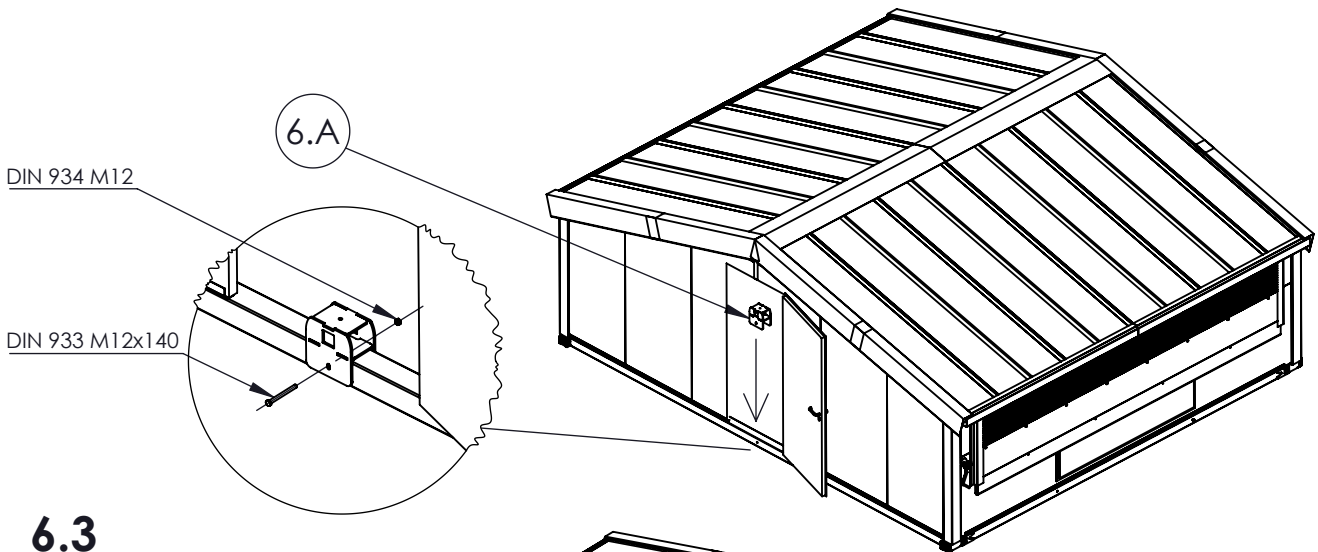
141173 (5 m = 30 m²)



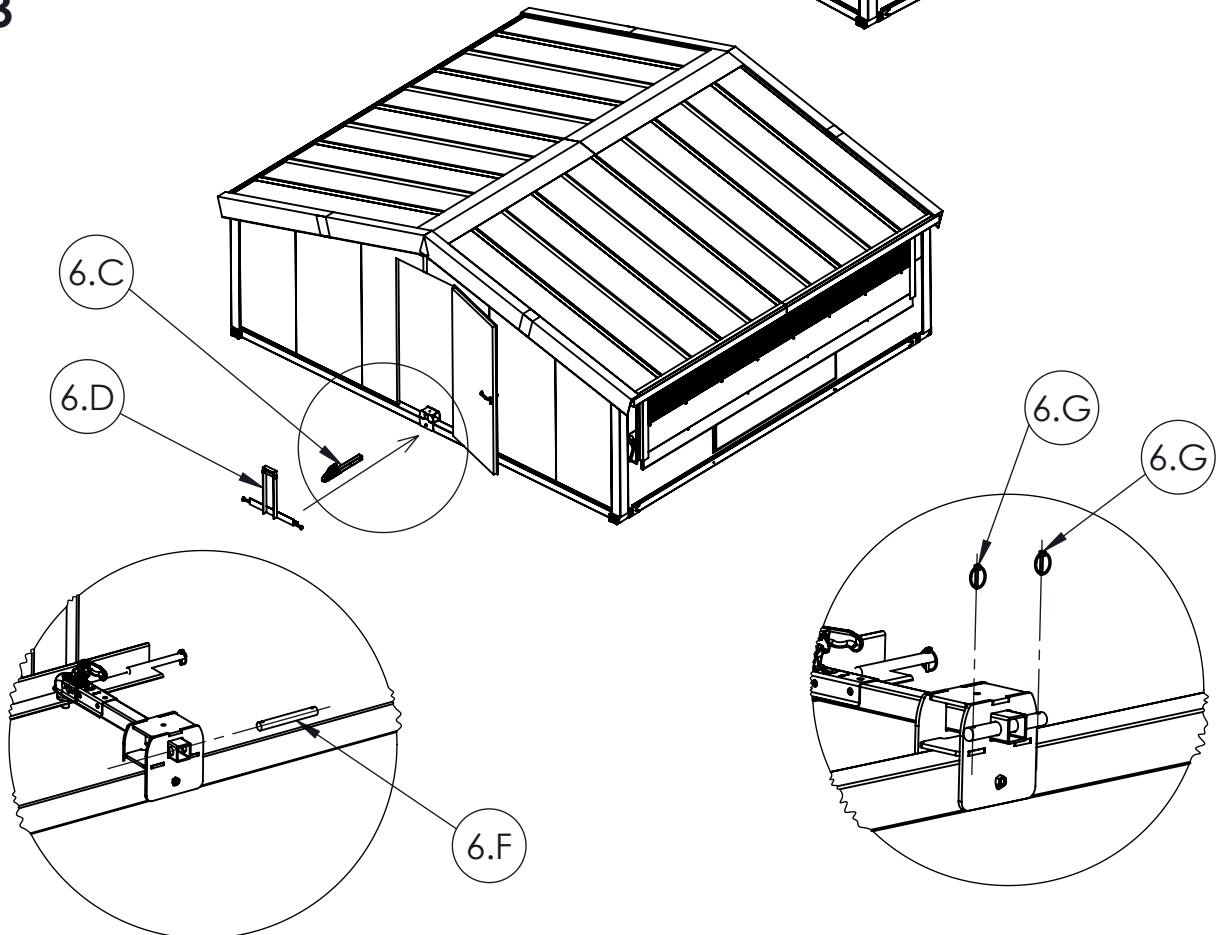
6.1



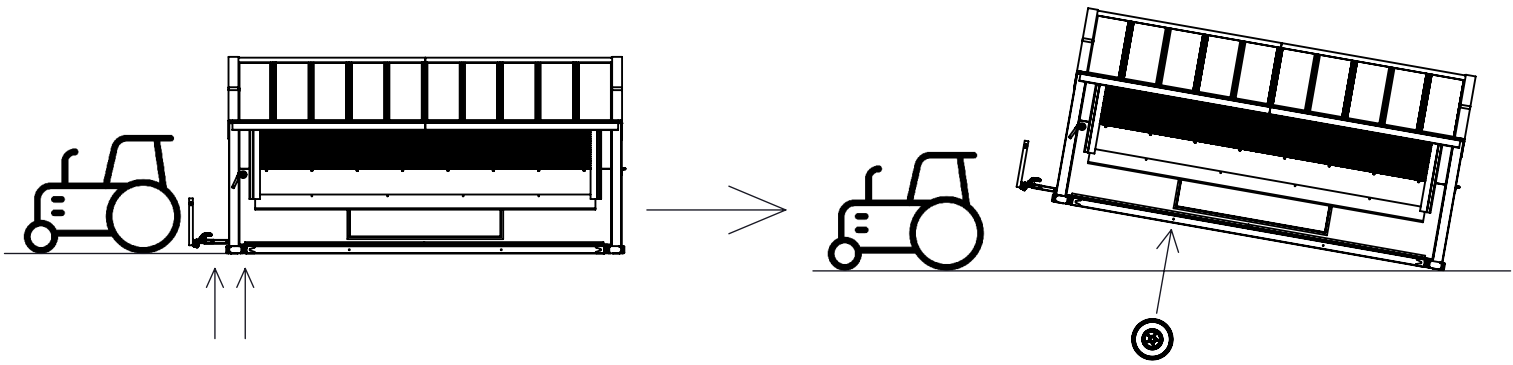
6.2



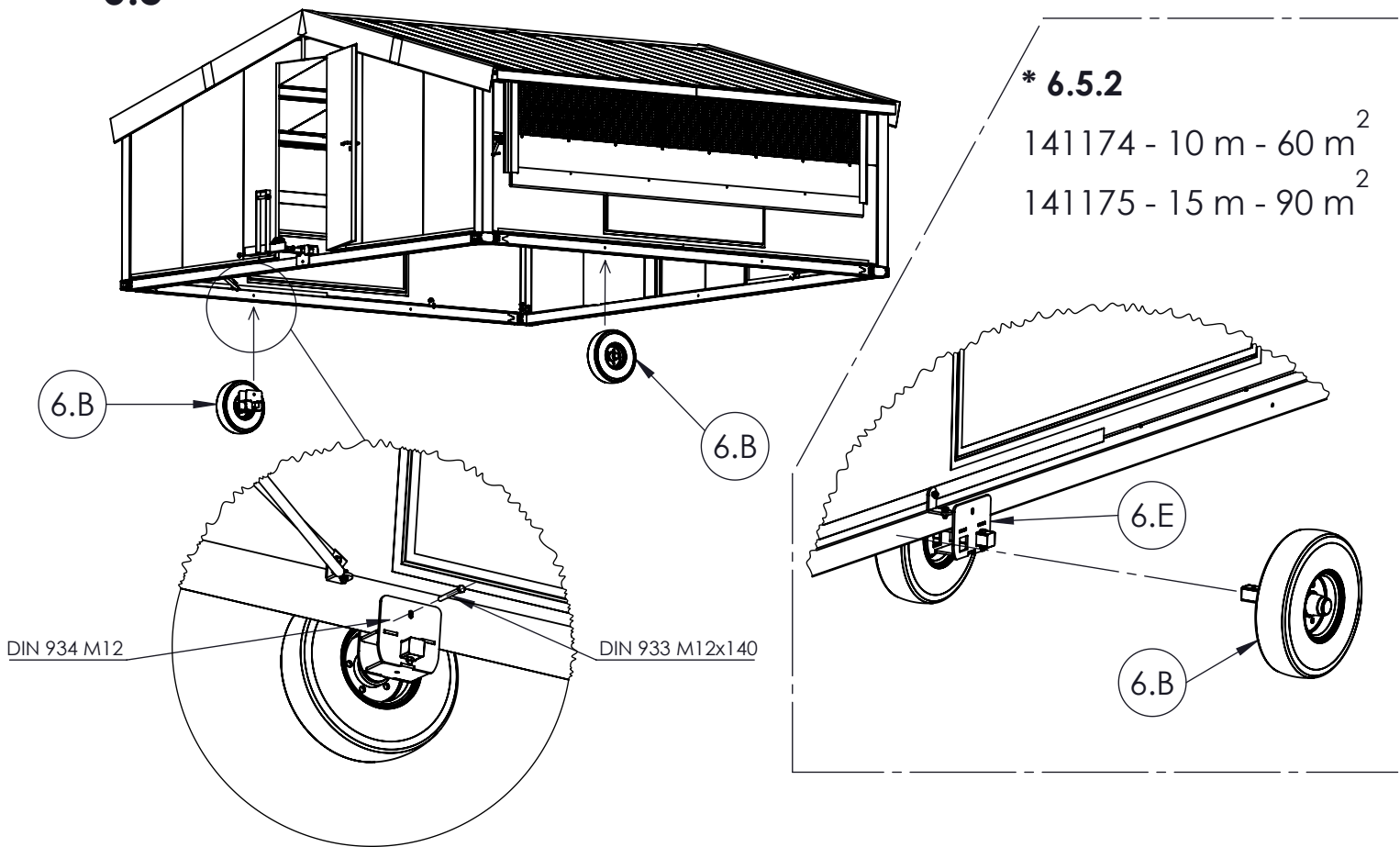
6.3



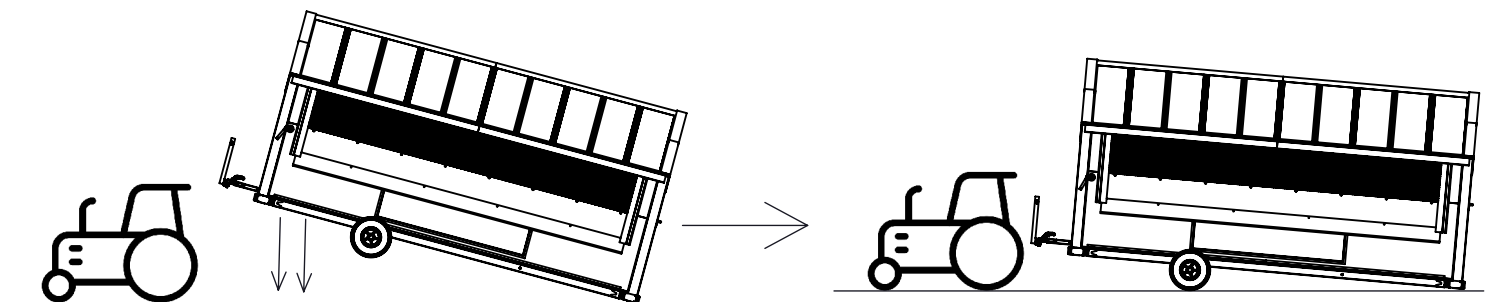
6.4



6.5

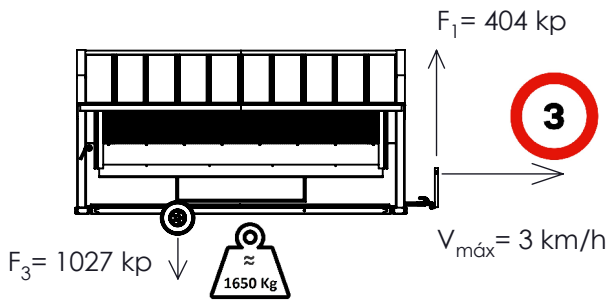


6.6

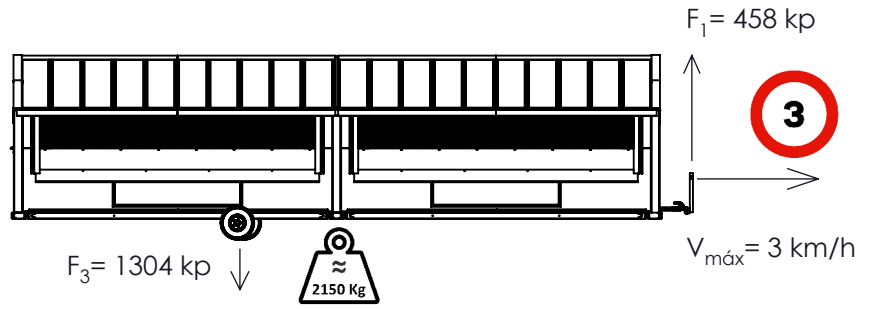


6.7

141173 (5 m = 30 m²)

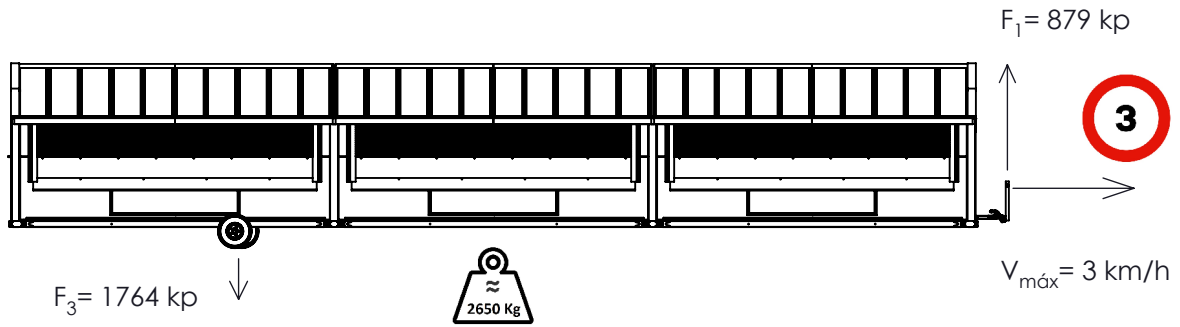


141174 (10 m = 60 m²)

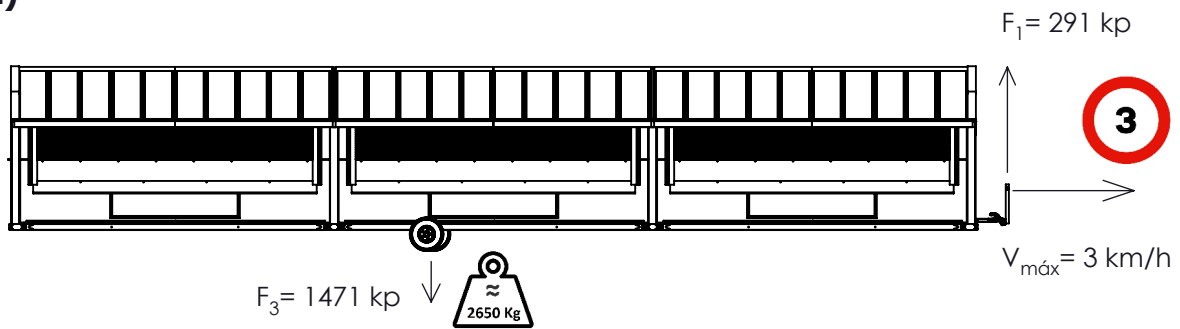


OP. 1)

141175 (15 m = 90 m²)



OP. 2)



	L (m)	A(m ²)	▲	a (cm)	🚩 max (Km/h)
141173	5	30	1%	5	100
			3%	15	40
141174	10	60	1%	10	100
			3%	30	40
141175	15	90	1%	15	100
			3%	45	40

